

PARTS LIST

Model : X G 4 5 0 D

A T E X CO.,LTD.

No.1-2-5,Kinuyama,Matsuyama,

Ehime 791-8524 Japan

Phone 089(924)7162

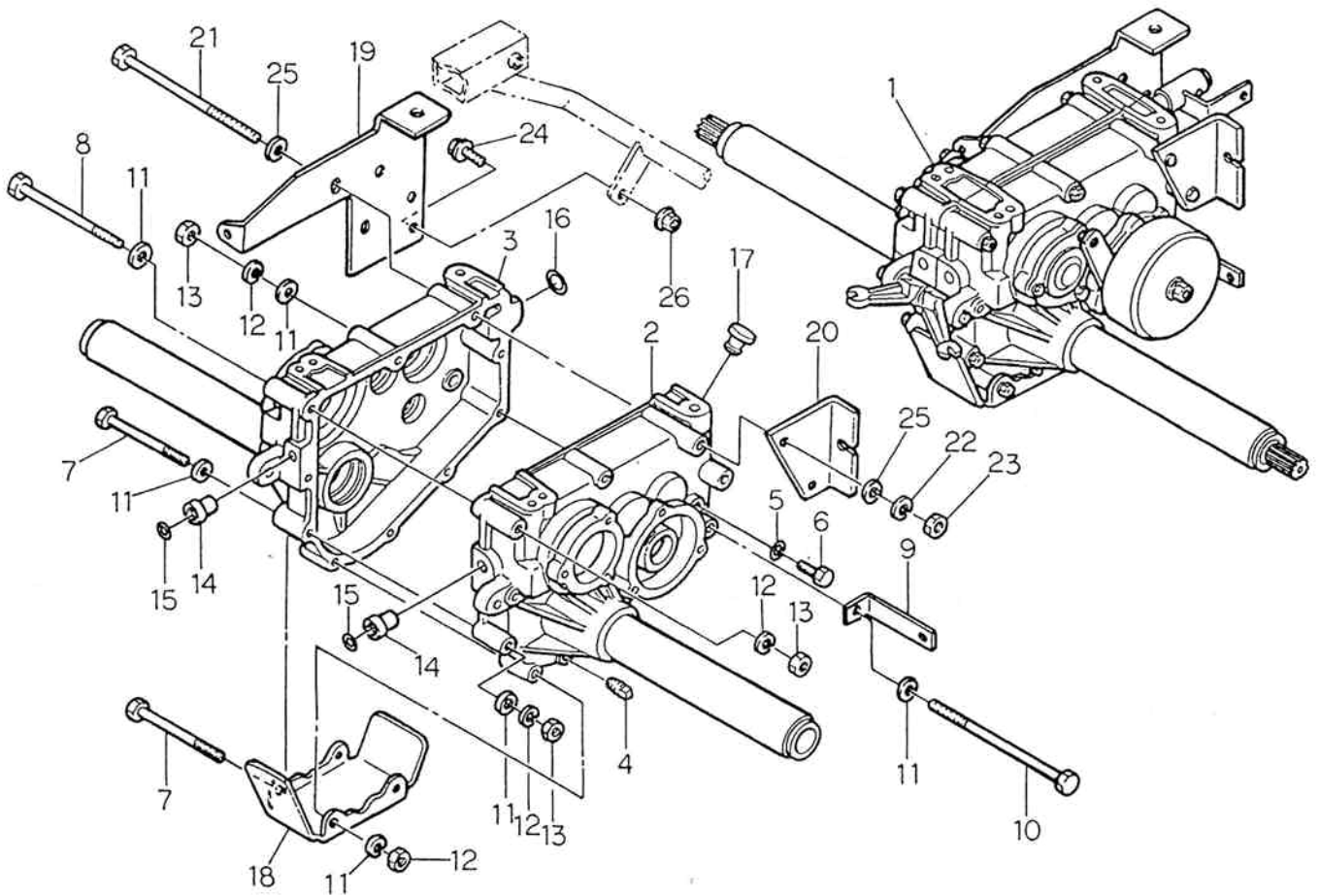
FAX 089(925)0771

Model: XG450D

Parts List CONTENTS

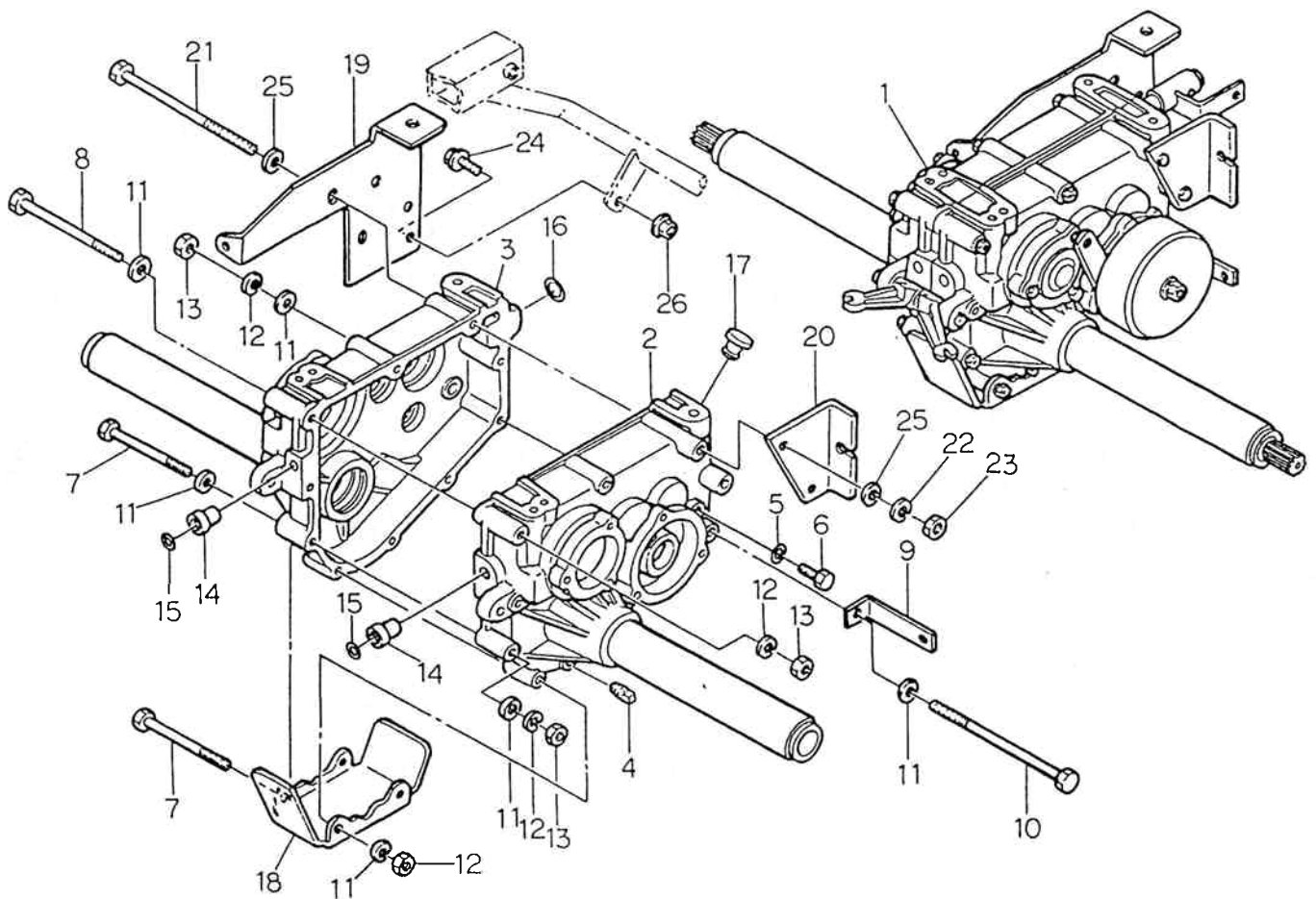
Transmission	(No. 1)	Page	1
Transmission	(No. 1)	Page	2
Transmission	(No. 2)	Page	3
Transmission	(No. 3)	Page	4
Transmission	(No. 4)	Page	5
Transmission	(No. 5)	Page	6
Frame	(No. 1)	Page	7
Frame	(No. 2)	Page	8
Frame	(No. 3)	Page	9
Frame	(No. 4)	Page	10
Frame	(No. 5)	Page	11
Frame	(No. 6)	Page	12
Roller	(No. 1)	Page	13
Roller	(No. 2)	Page	14
Engine/Driving	(No. 1)	Page	15
Engine/Driving	(No. 2)	Page	16
Engine/Driving	(No. 3)	Page	17
Engine/Driving	(No. 4)	Page	18
Engine/Driving	(No. 5)	Page	19
Hydraulic Pump	(No. 1)	Page	20
Hydraulic Pump	(No. 2)	Page	21
Hydraulic Pump	(No. 3)	Page	22
Cover	(No. 1)	Page	23
Cover	(No. 2)	Page	24
Cover	(No. 3)	Page	25
Cover	(No. 4)	Page	26
Cover	(No. 5)	Page	27
Cover	(No. 6)	Page	28

TRANSMISSION(No. 1)



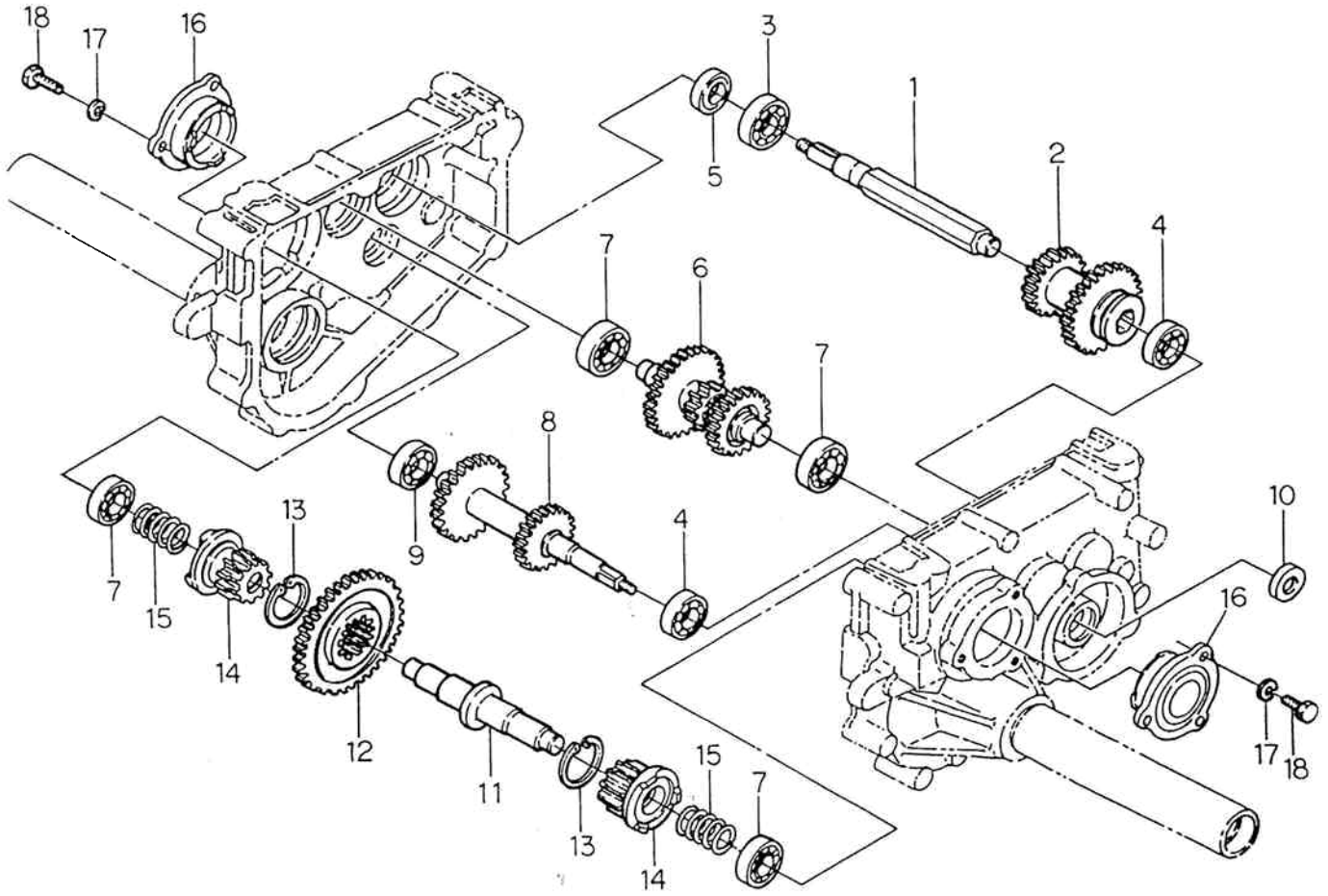
No.	Part No.	Part Description	Q' ty
1	0353-100-200-0	G. BOX ASSY	1 set
2	0353-110-210-0	Gear Case (L)	1
3	0353-110-220-0	Gear Case (R)	1
4	3614-101-005-0A	Plug	1
5	V720-101-900-6	O-ring P6	1
6	V200-260-601-0	Bolt M6x10	1
7	V201-260-809-0	Bolt M8x90	3
8	V201-260-811-5	Bolt M8x115	4
9	0353-110-011-1A	Brake cover support	1
10	V201-260-812-0	Bolt M8x120	1
11	V411-260-008-0	Washer 8	12
12	V401-160-008-0	Spring washer	8
13	V304-260-008-0	Nut M8	8
14	3740-111-030-0	Push rod metal	2
15	V720-101-901-0	O-ring P10	2
16	V720-102-401-6	O-ring P16	1
17	3560-102-029-1A	Oil cup	1
18	0343-115-011-0	Under guard	1
19	0353-130-011-0	Stopper base	1
20	0343-115-012-0	Brake wire holder	1

TRANSMISSION(No. 1)



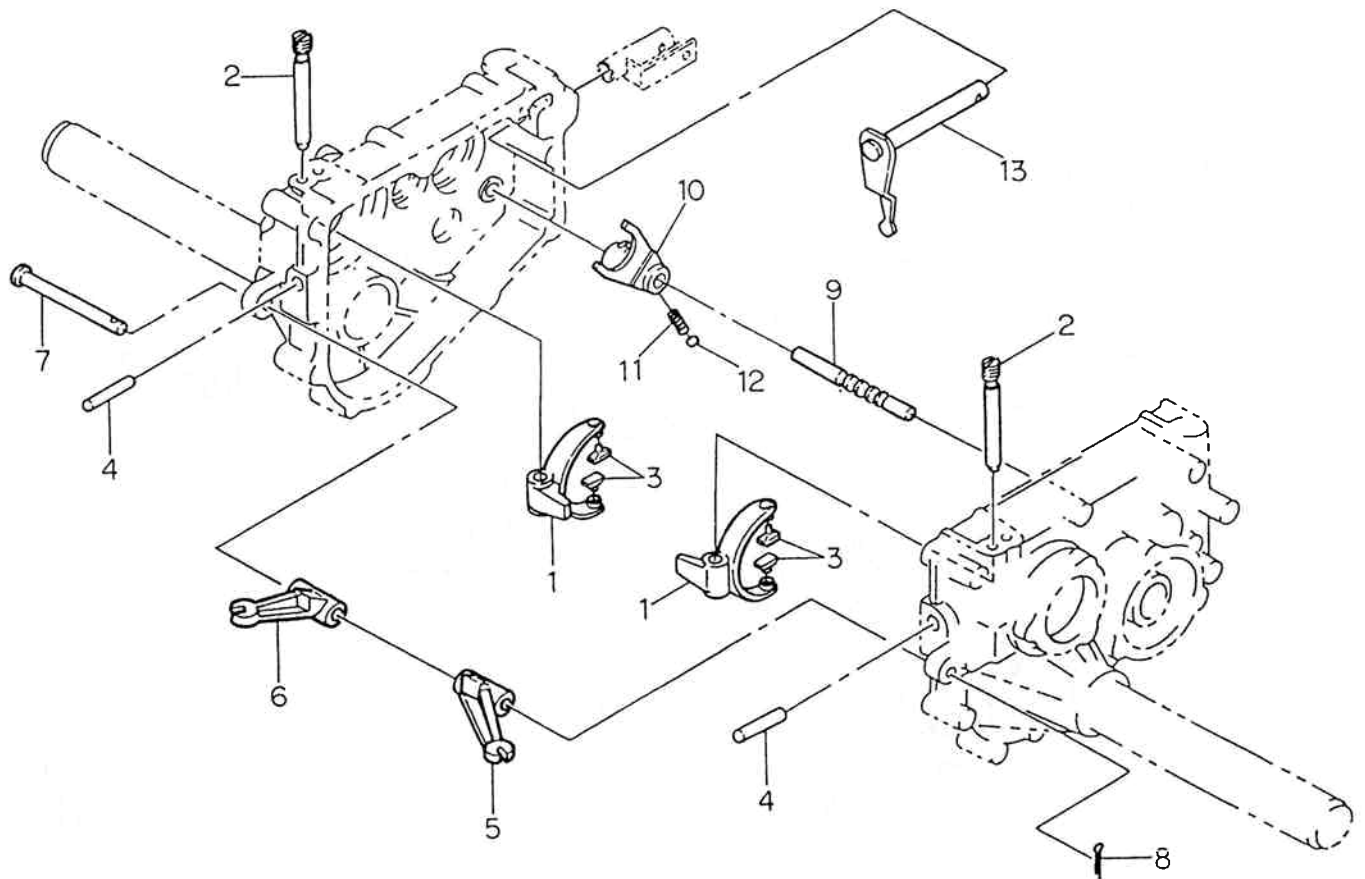
<u>No.</u>	<u>Part No.</u>	<u>Part Description</u>	<u>Q' t y</u>
21	V201-261-016-0	Bolt M10x160	2
22	V401-160-010-0	Spring washer 10	2
23	V304-260-010-0	Nut M10	2
24	V11-361-002-5	Bolt (SP) M10x25	1
25	V411-260-010-0	Washer 10	2
26	V363-260-010-0	Nut with washer	1

TRANSMISSION(No. 2)



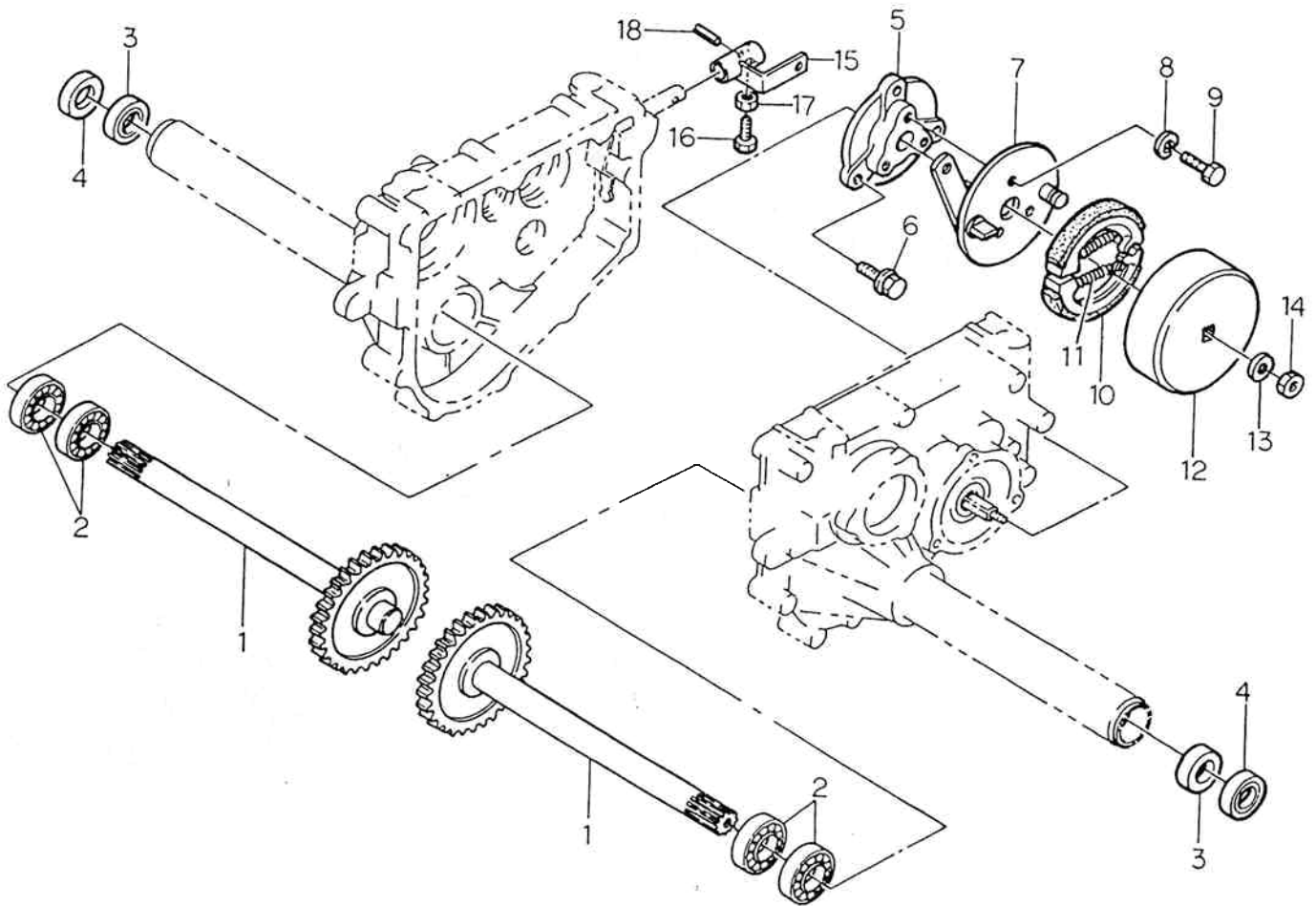
No.	Part No.	Part Description	Q' t y
1	0343-110-011-0	Input shaft	1
2	0353-110-012-0	Change gear (13-19)	1
3	V600-110-630-3	Bearing 6303	1
4	V600-110-620-2	Bearing 6202	2
5	0407-110-027-0	Oil seal (TC16. 7)	1
6	0353-110-200-0	Counter shaft	1
7	V600-110-620-3	Bearing 6203	4
8	0343-110-210-1	Back counter COMP	1
9	V600-110-600-3	Bearing 6003	1
10	V744-117-300-7	Oil seal TC17307	1
11	0407-110-018-1	Side clutch shaft	1
12	3740-111-021-0	Center gear	1
13	V705-140-037-0	Snap ring (hole) 37	2
14	3051-101-009-1A	Clutch gear	2
15	3740-111-023-0A	Clutch spring	2
16	0343-110-013-0A	Brake metal	2
17	V401-160-008-0	Spring washer 8	6
18	0450-110-011-0	Lock bolt M8x25	6

TRANSMISSION (No. 3)



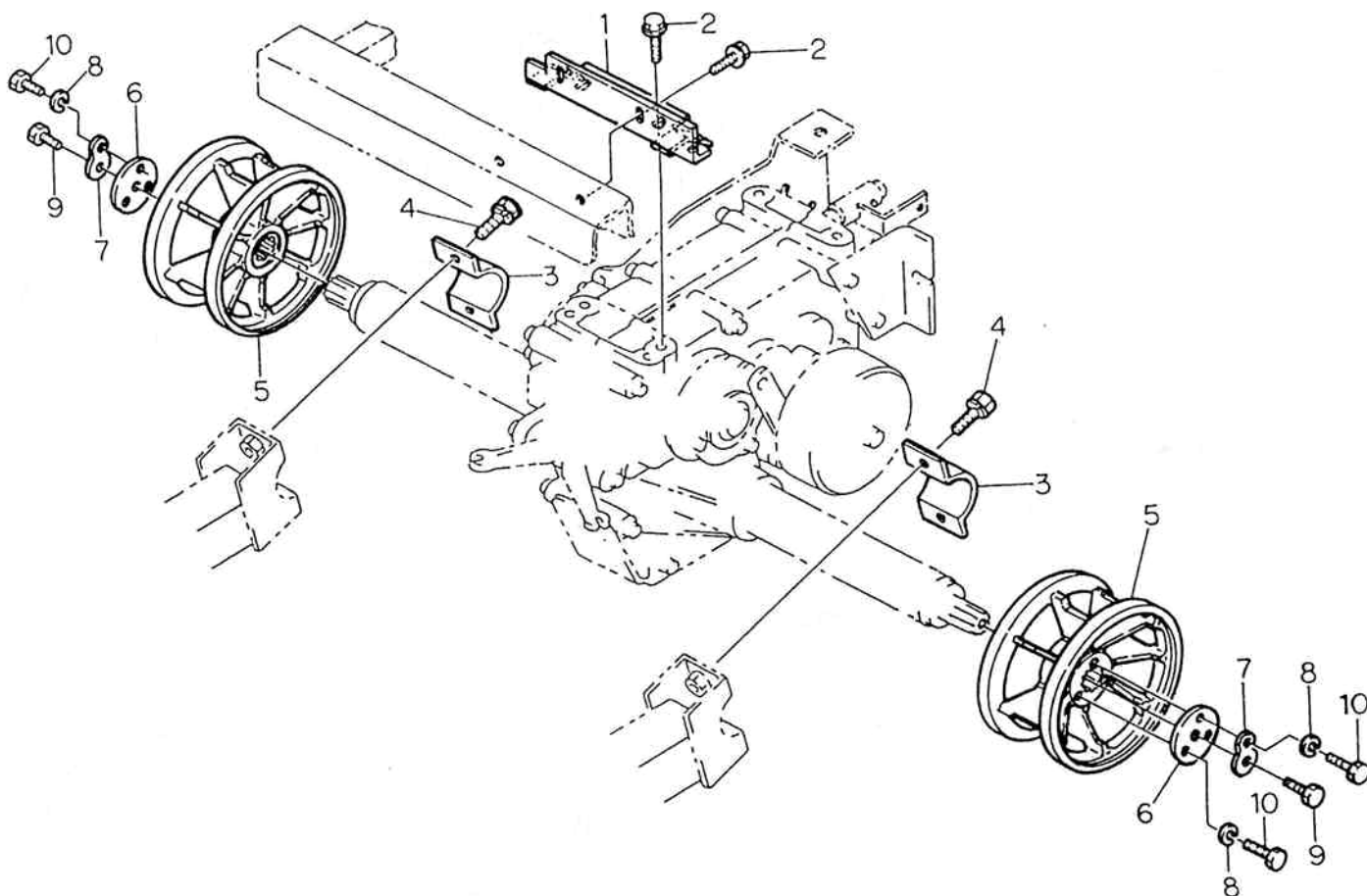
No.	Part No.	Part Description	Q' ty
1	3100-107-001-0	Shifter Arm	2
2	0343-110-014-0A	Shifter arm pin	2
3	2703-101-020-0	Shifter collar	4
4	3740-111-029-0	Side clutch push rod	2
5	0472-110-012-0	Side clutch arm (L)	1
6	0472-110-013-0	Side clutch arm (R)	1
7	3517-501-002-1A	Clutch guide pin	1
8	V500-163-002-0	Split pin 3x20	1
9	0343-110-015-0	Change shift rod	1
10	0343-110-016-0	Change shifter	1
11	1301-229-004-0A	Shifter spring	1
12	V680-200-001-0	Steel ball 5/16	1
13	0343-110-220-0	Change arm COMP	1

TRANSMISSION(No. 4)



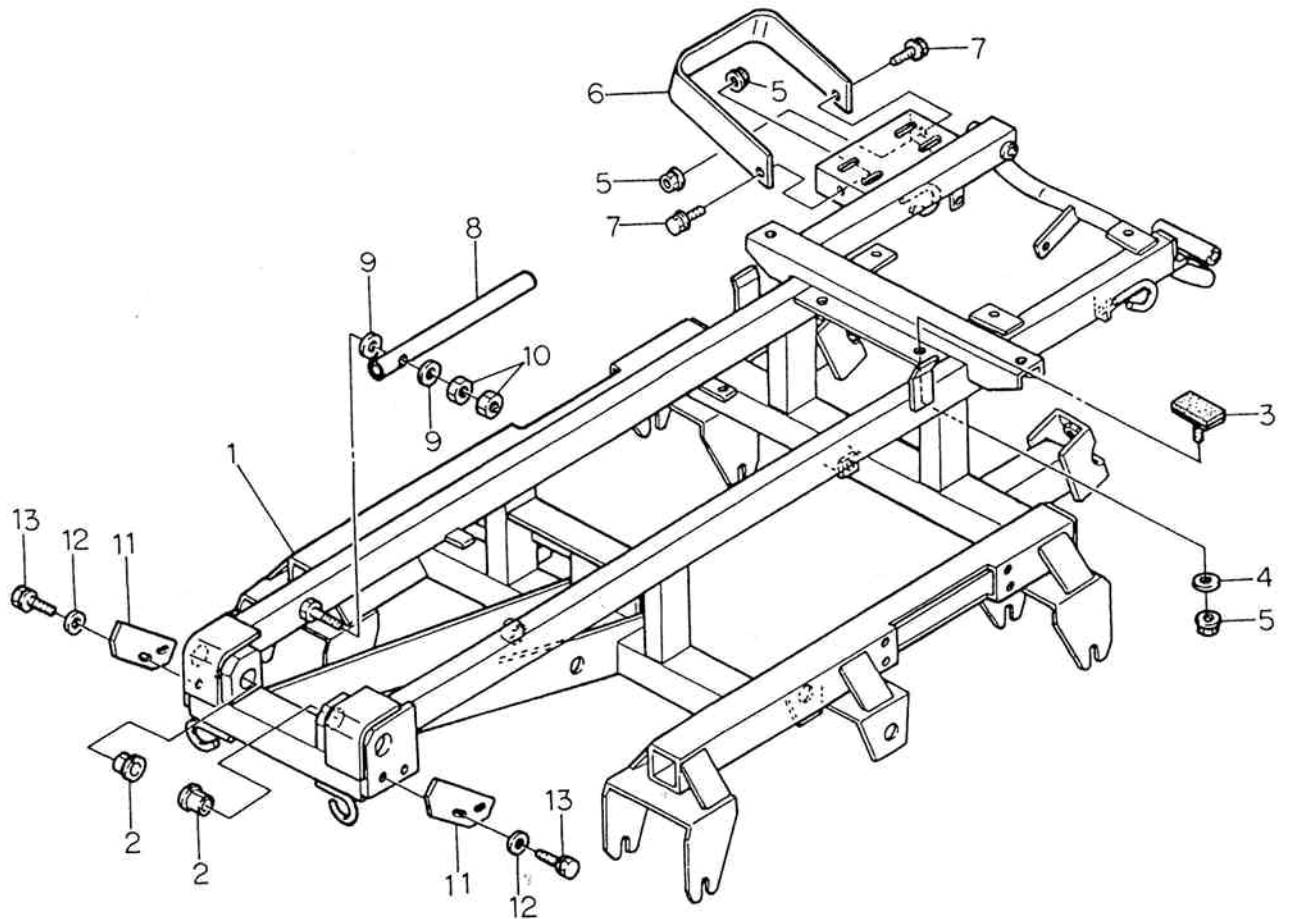
No.	Part No.	Part Description	Q' ty
1	0343-110-230-0	Wheel shaft	2
2	V600-110-620-5	Bearing 6205	4
3	V744-125-350-7	Oil seal TC25357	2
4	V742-125-350-5	Oil seal VC25355	2
5	0343-115-013-0	Brake holder	1
6	V211-360-802-5	Bolt (SP) M8x25	3
7	0343-115-230-0A	Back plate COMP	1
8	V401-160-006-0	Spring washer 6	3
9	V200-460-601-6	Bolt M6x16 9T	3
10	0400-102-001-0	Brake shoe	2
11	0400-102-002-0	Brake shoe spring	2
12	0400-102-003-0	Brake drum	1
13	V411-260-010-0	Washer 10	1
14	0412-204-004-0	U-nut (M10)	1
15	0353-130-200-1B	Change arm (450)	1
16	V201-460-801-6	Bolt M8x16 9T	1
17	V303-260-008-0	Nut M8	1
18	V580-140-602-5	Spring pin (W) 6x25	1

TRANSMISSION (No. 5)



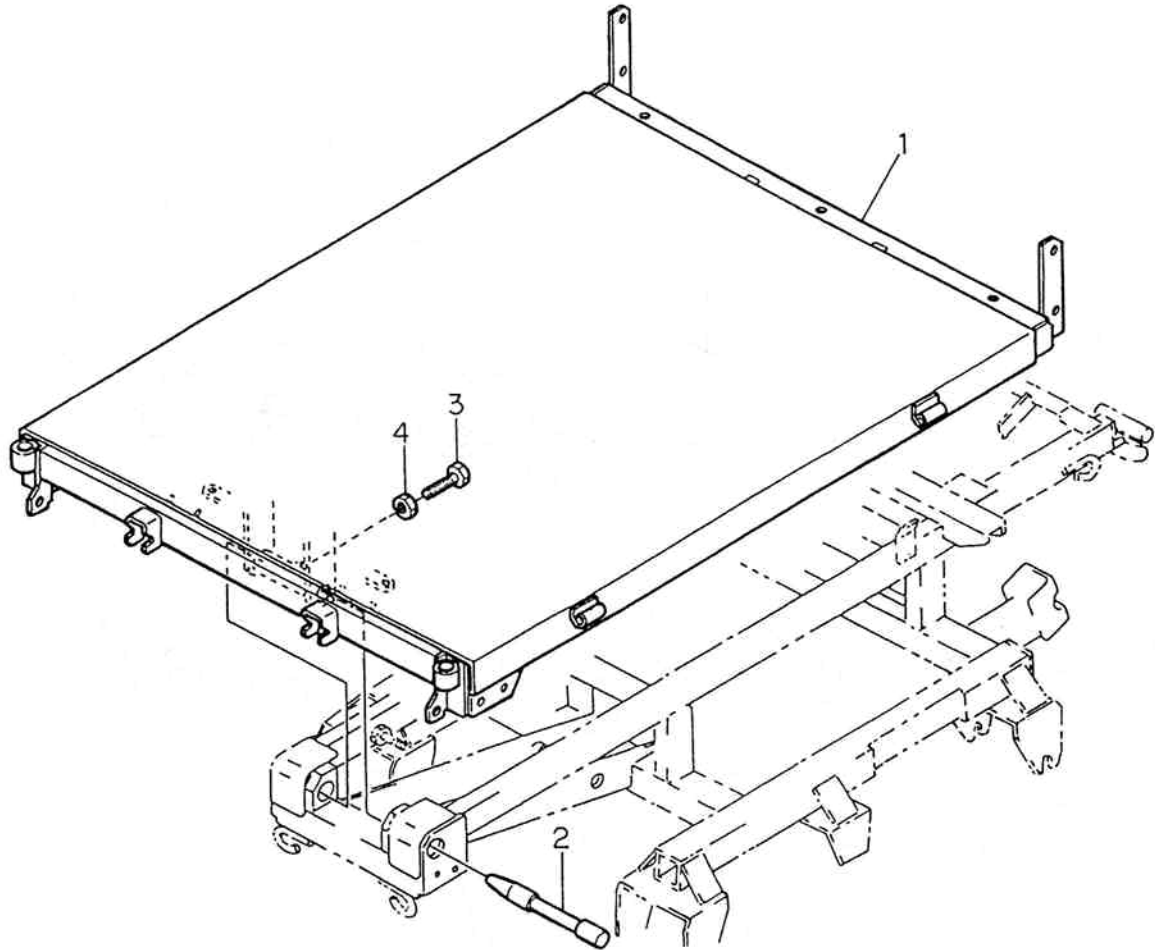
No.	Part No.	Part Description	Q' t y
1	0353-130-210-0	Wire holder	1
2	V211-361-002-5	Bolt (SP) M10x25	4
3	0351-115-012-1	Wheel pipe holder 43	2
4	V211-261-002-5	Bolt (S) M10x25	4
5	0354-120-011-5E	Wheel sprocket	2
6	0354-120-013-0	Sprocket holder (B)	2
7	3051-102-009-0	Locking plate	2
8	V401-160-008-0	Spring washer 8	6
9	V201-460-802-0	Bolt M8x20 9T	2
10	V201-460-803-0	Bolt M8x30 9T	6

FRAME (No. 1)



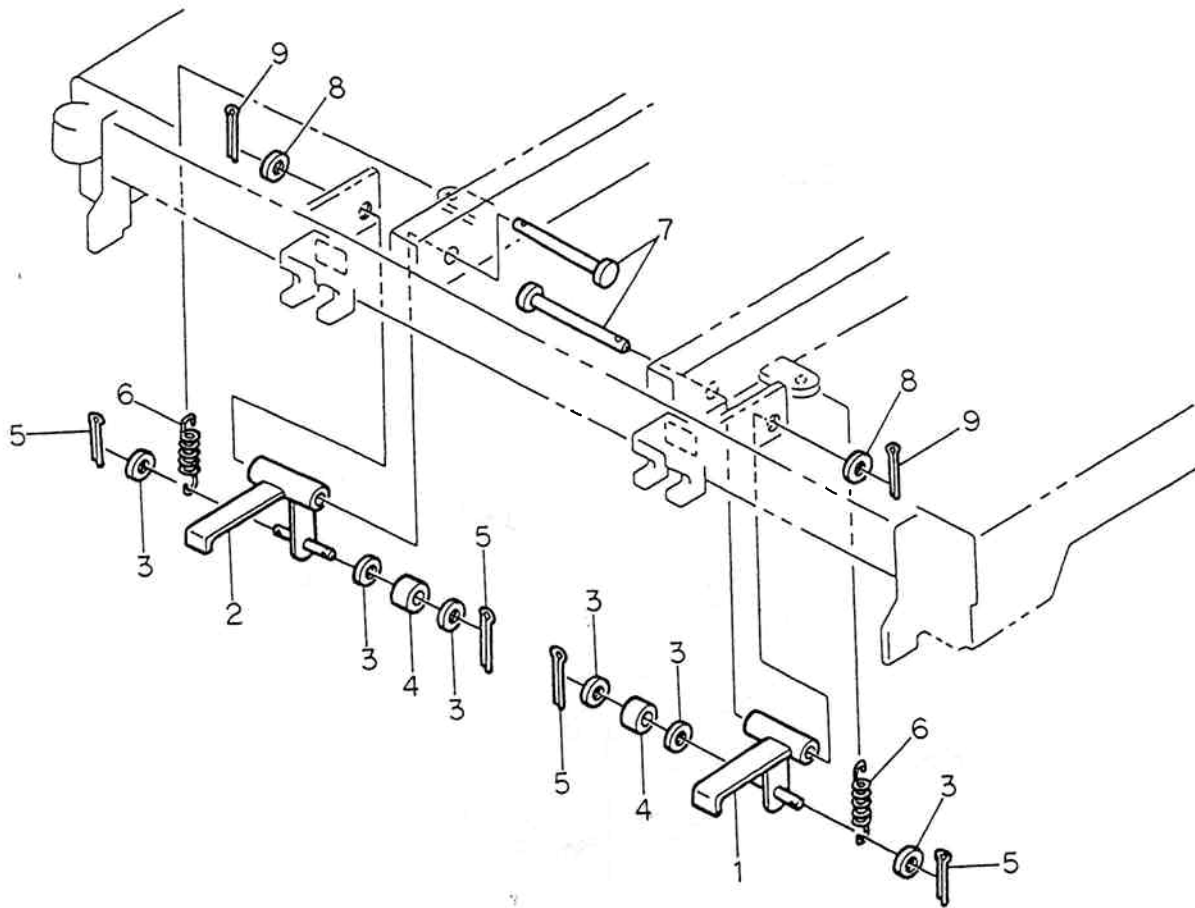
<u>No.</u>	<u>Part No.</u>	<u>Part Description</u>	<u>Q'ty</u>
1	0353-211-200-3C	Frame (450)COMP	1
2	0450-301-011-0	Flange bush 20	2
3	0452-210-250-0	Rubber	2
4	8935-056-025-0	Link (20)	2
5	V363-260-008-0	Nut M8	4
6	0353-211-011-0	Pump Guard	1
7	V211-160-802-0	Bolt (P)M8X20	2
8	0353-211-012-0	Safety Pipe	1
9	V410-260-012-0	Washer (12)	2
10	V303-260-012-0	Nut M12	2
11	0344-210-011-2C	Dump Cam	2
12	3731-551-008-0	Washer	4
13	V211-260-801-6	Bolt (S)M8X16	4

FRAME(No. 2)



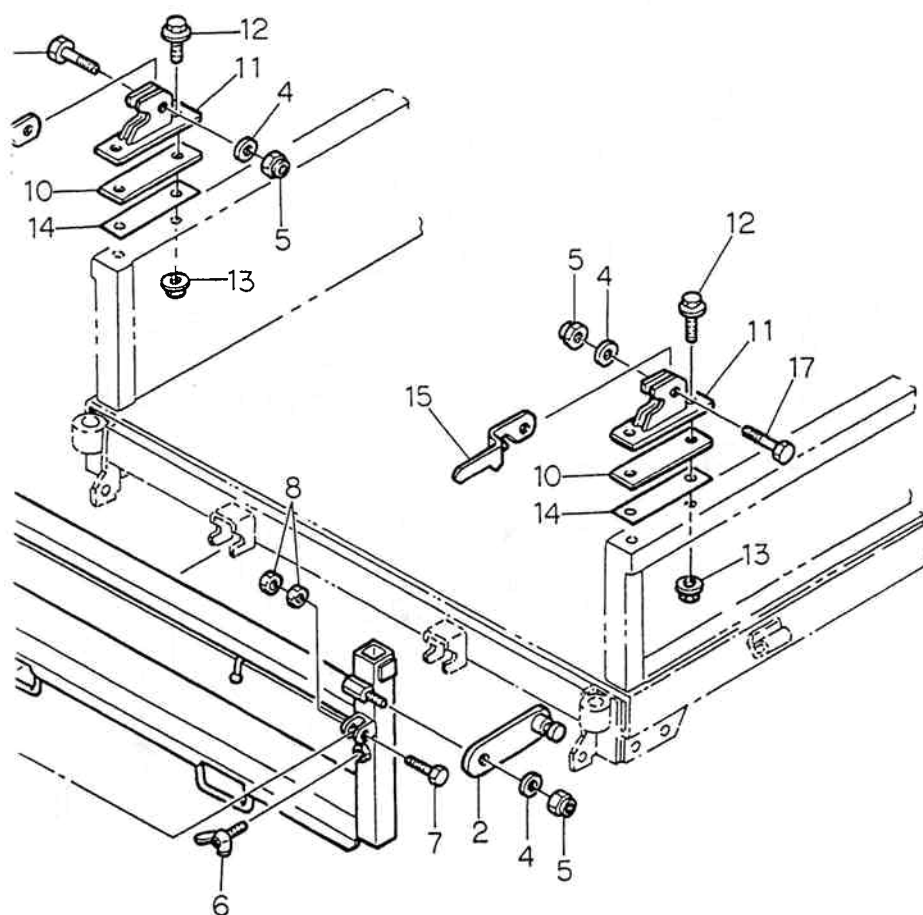
<u>No.</u>	<u>Part No.</u>	<u>Part Description</u>	<u>Q'ty</u>
1	0353-253-200-1A	Carrier(450D)	1
2	0344-250-011-0	Arm point jig	1
3	V201-460-802-5	Bolt M8X25X9T	1
4	V304-260-008-0	Nut M8	1

FRAME (No. 3)



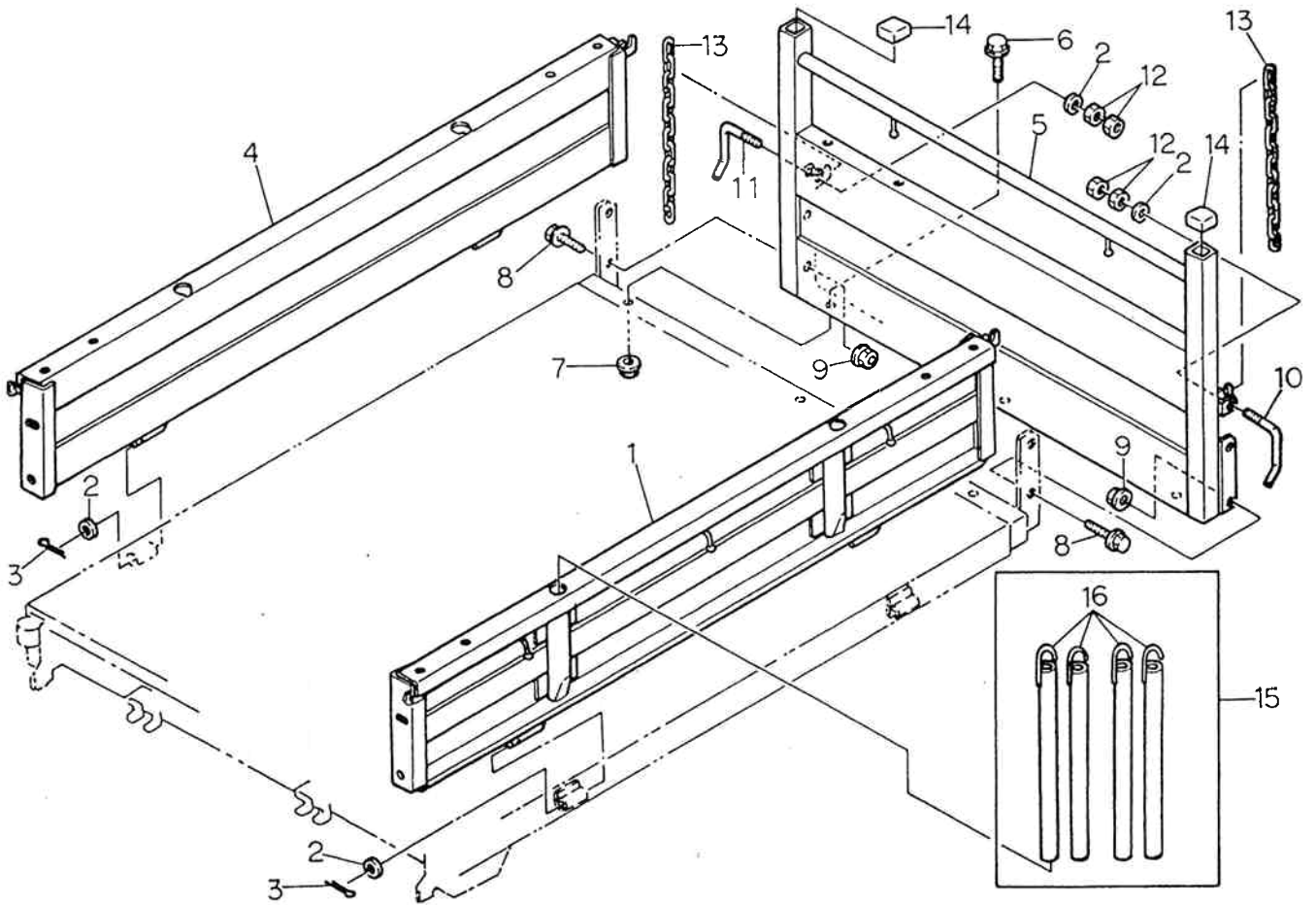
<u>No.</u>	<u>Part No.</u>	<u>Part Description</u>	<u>Q'ty</u>
1	0344-255-200-0	Gate lock arm(L)COMP	1
2	0344-255-210-0	Gate lock arm(R)COMP	1
3	V411-260-008-0	Washer 8	6
4	0375-255-011-0	Roller	2
5	V500-162-502-0	Split pin (2. 5X20)	4
6	8935-042-034-0	Spring	2
7	0365-303-001-0	Pin	2
8	V411-260-012-0	Washer 12	2
9	V500-163-002-0	Split pin (3X20)	2

FRAME(No. 4)



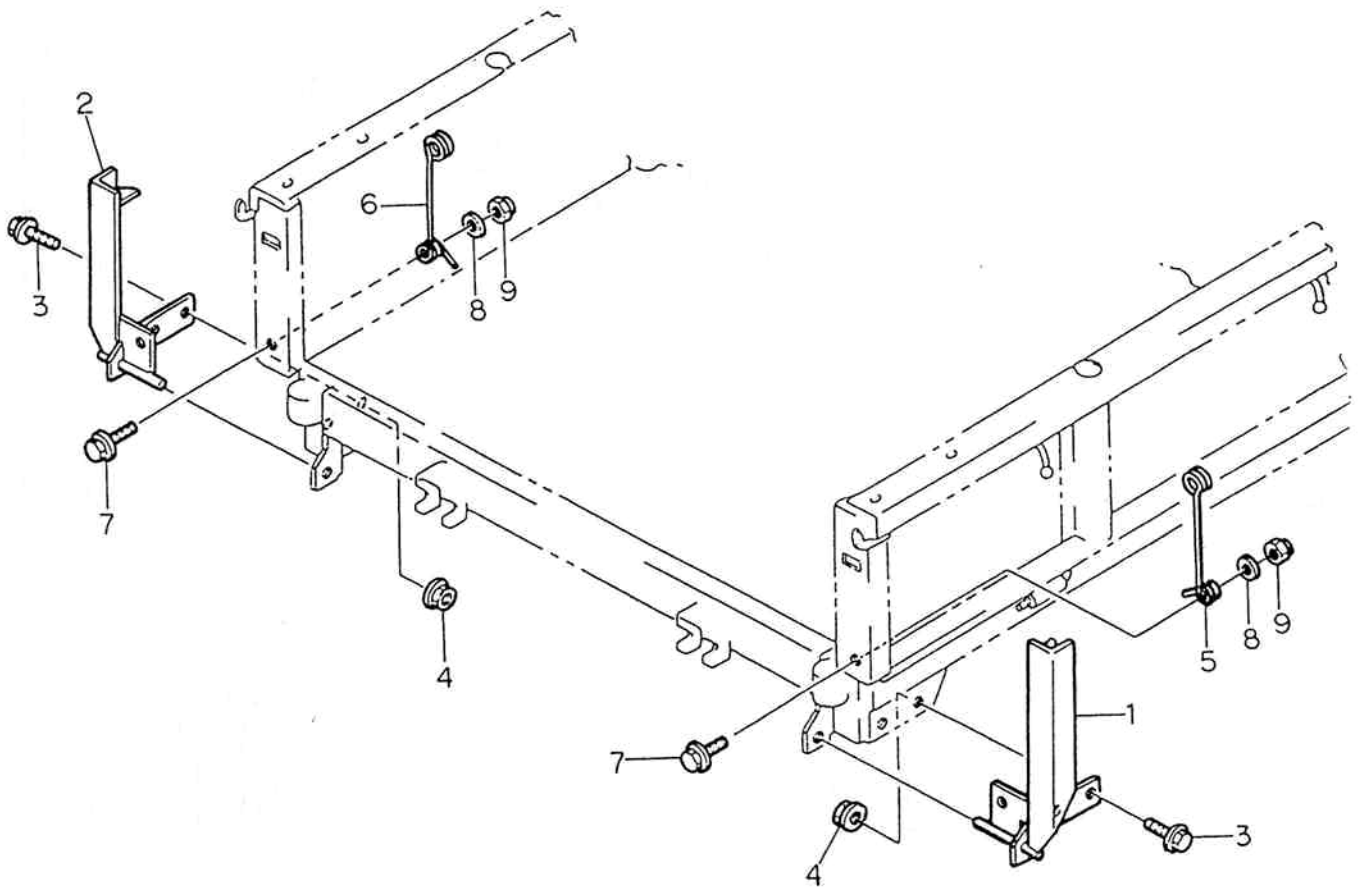
No.	Part No.	Part Description	Q'ty
1	0344-260-200-1A	Front Frame COMP	1
2	0347-262-200-0	Arm (L)COMP	1
3	0347-262-210-0	Arm (R)COMP	1
4	V411-260-010-0	Washer(10)	4
5	0412-204-004-0	U-nut (M10)	4
6	V271-160-802-0	Bolt (M8X20)	2
7	V201-261-004-0	Bolt (M10X40)	2
8	V304-260-010-0	Nut M10	4
9	0360-202-004-0	Fook chain	2
10	0437-277-201-0	Plate	2
11	0437-277-200-0	Fulcrum holder	2
12	V211-161-002-5	Bolt (P)M10X25	4
13	V362-260-010-0	Nut M10	4
14	0437-277-011-0	Spacer	2
15	0437-277-012-0	Rear gate lever(L)	1
16	0437-277-013-0	Rear gate lever(R)	1
17	0412-204-003-0	Bolt	2

FRAME(No. 5)



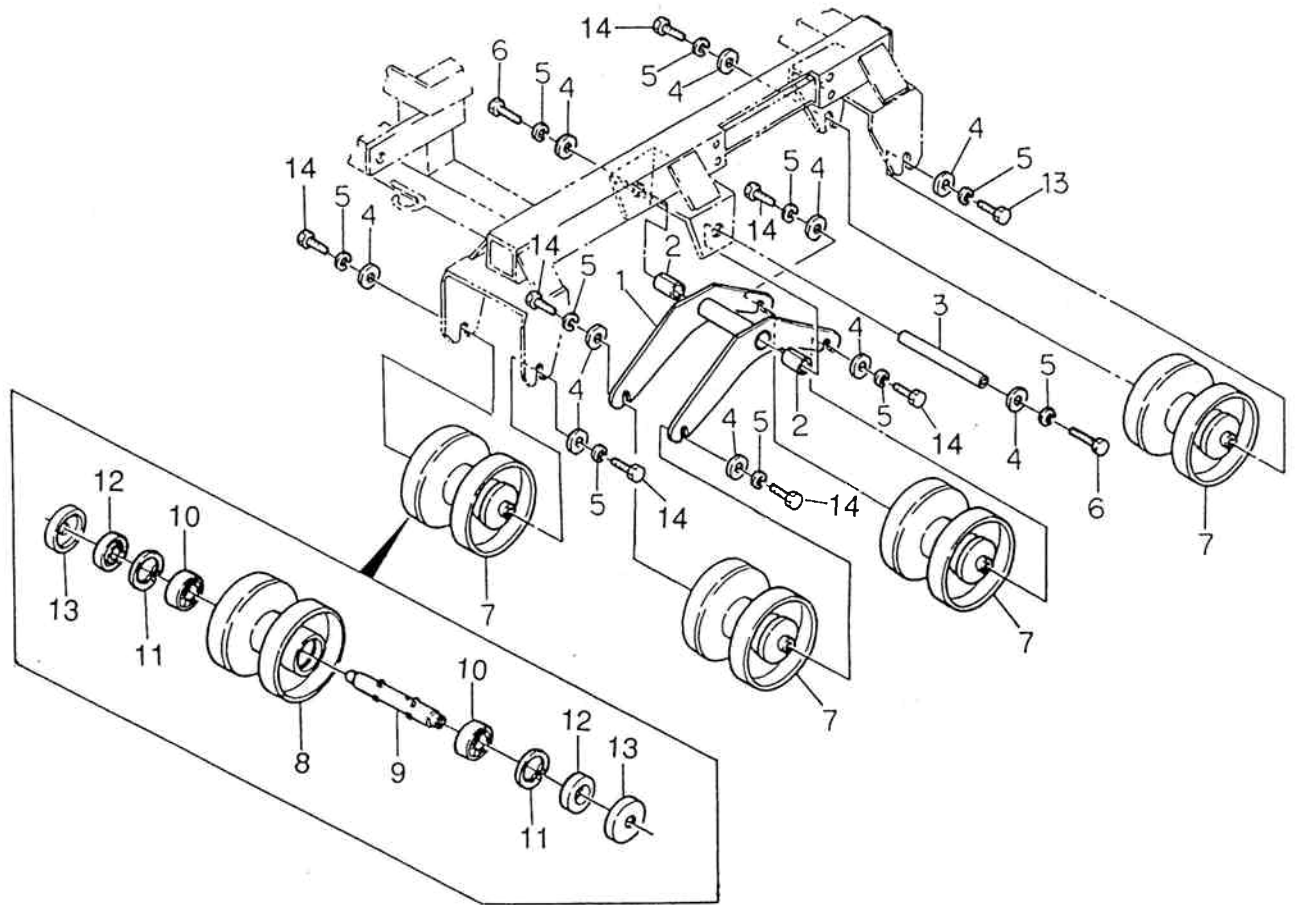
No.	Part No.	Part Description	Q'ty
1	0344-260-220-1B	Side Frame(L)	1
2	V411-260-010-0	Washer	4
3	V500-162-502-0	Split pin 2. 5X20	2
4	0344-260-230-1B	Side Frame(R)	1
5	0353-260-200-1A	Rear Frame	1
6	V211-160-802-0	Bolt (P)M8X20	3
7	V363-260-008-0	Nut with washer M8	3
8	V211-161-002-5	Bolt (P)M10X25	4
9	V363-260-010-0	Nut with washer M10	4
10	0366-302-011-0	Set lever(S)L	1
11	0366-302-012-0	Set lever(S)R	1
12	V304-260-010-0	Nut M10	4
13	0360-202-004-0	Fook Chain	2
14	0342-260-011-0	Cap 32	2
15	0453-200-220-0	Pipe SET	1
16	0432-204-240-0	Pipe	4

FRAME (No. 6)



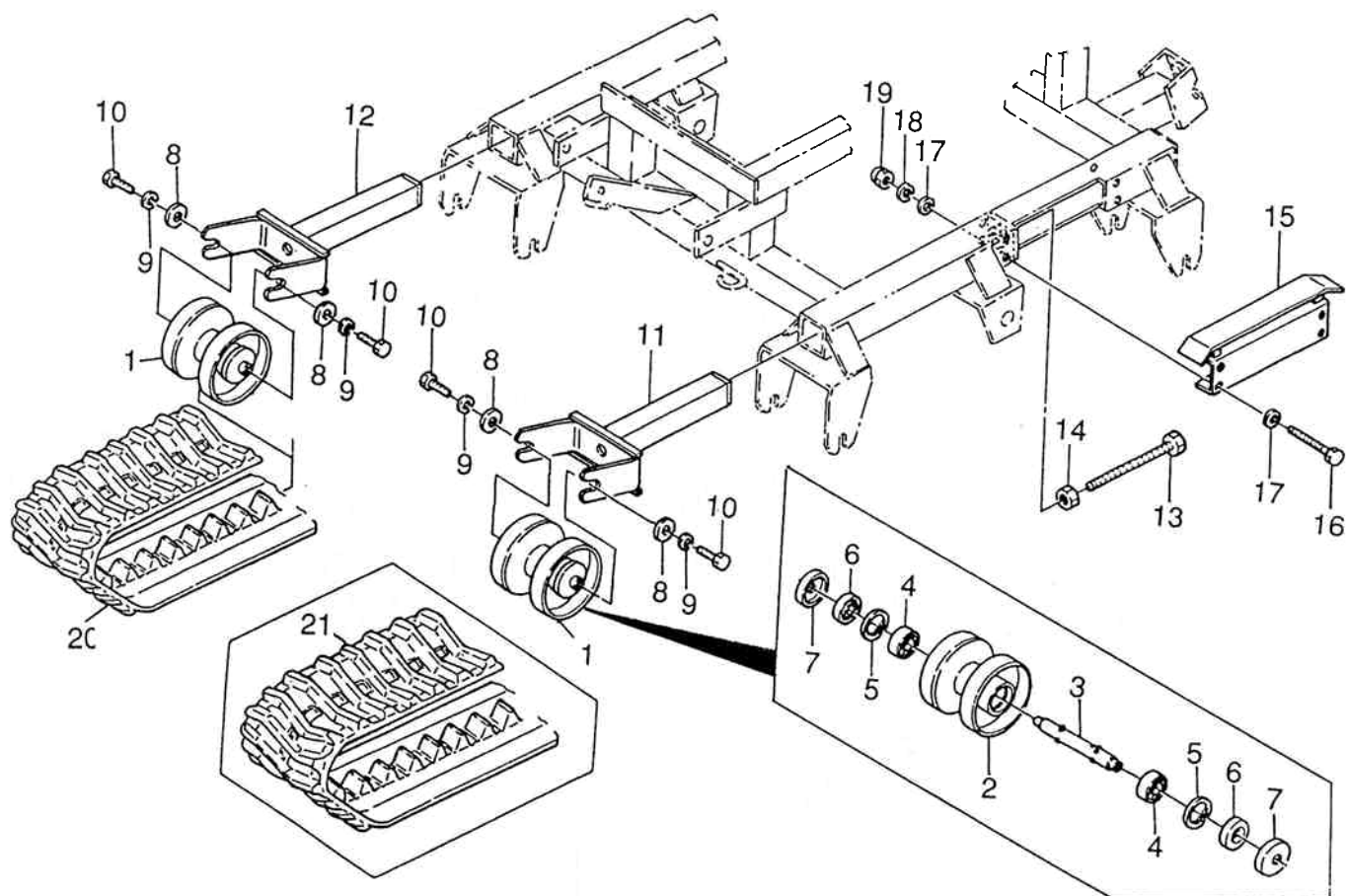
<u>No.</u>	<u>Part No.</u>	<u>Part Description</u>	<u>Q' t y</u>
1	0344-268-200-1A	Vertical locker (L)	1
2	0344-268-210-1A	Vertical locker (R)	1
3	V211-161-002-5	Bolt (P) M10x25	4
4	V362-260-010-0	Nut with washer M10	4
5	0344-268-011-1A	Spring (L)	1
6	0344-268-012-1A	Spring (R)	1
7	V211-160-802-5	Bolt (P) M8x25	2
8	V411-260-008-0	Washer 8	2
9	0331-250-016-0	U-nut (M8) 4T	2

ROLLER(No. 1)



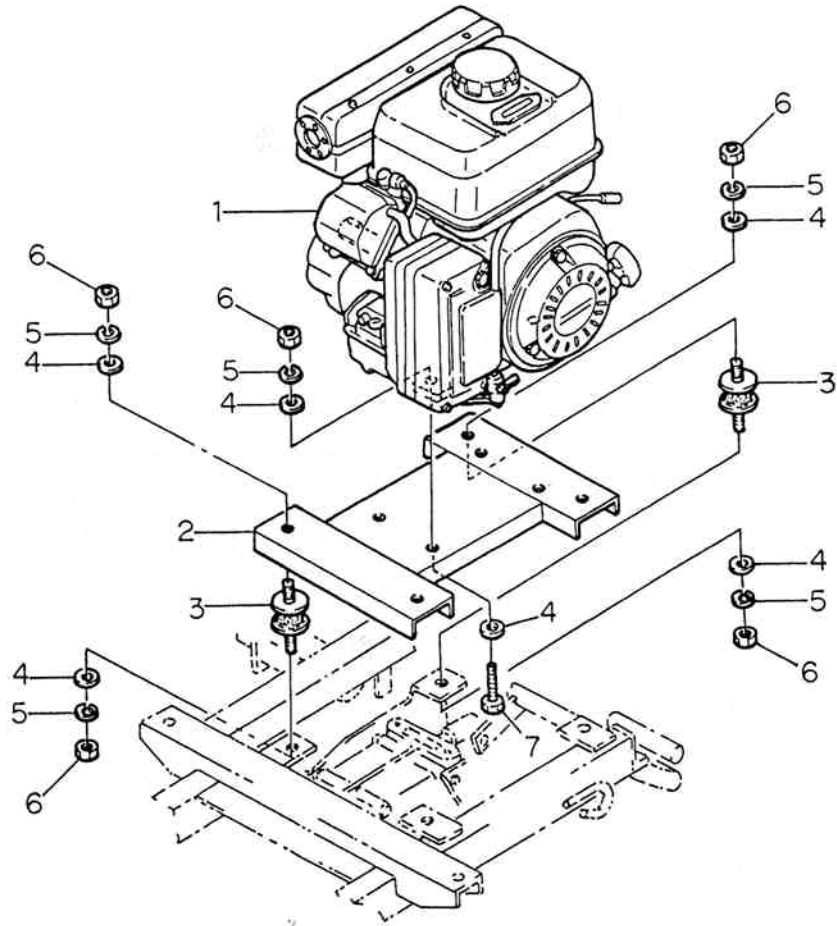
<u>No.</u>	<u>Part No.</u>	<u>Part Description</u>	<u>Q' t y</u>
1	0353-310-200-1A	Equalizer	2
2	0354-310-011-0	Bush (25x28x30)	4
3	0354-310-015-0	Equalizer fixing pin	2
4	3768-361-029-0	Washer(for rotor fixing)	20
5	V401-160-010-0	Spring washer 10	20
6	V203-461-002-5	Bolt (fine)M10x1.25x25 9T	4
7	0354-300-001-0	Roller (XG) Assy	8
8	0354-310-210-1A	Roller (150x142)	8
9	0354-310-013-1A	Shaft (20x160)	8
10	V600-110-620-4	Bearing 6204	16
11	V705-140-047-0	C-type Snap ring(Hole) 47	16
12	V740-120-470-7	Oil seal SC20477	16
13	0354-310-014-0	Dust cover	16
14	V203-461-002-0	Bolt (fine)M10x1.25x20 9T	16

ROLLER(No. 2)



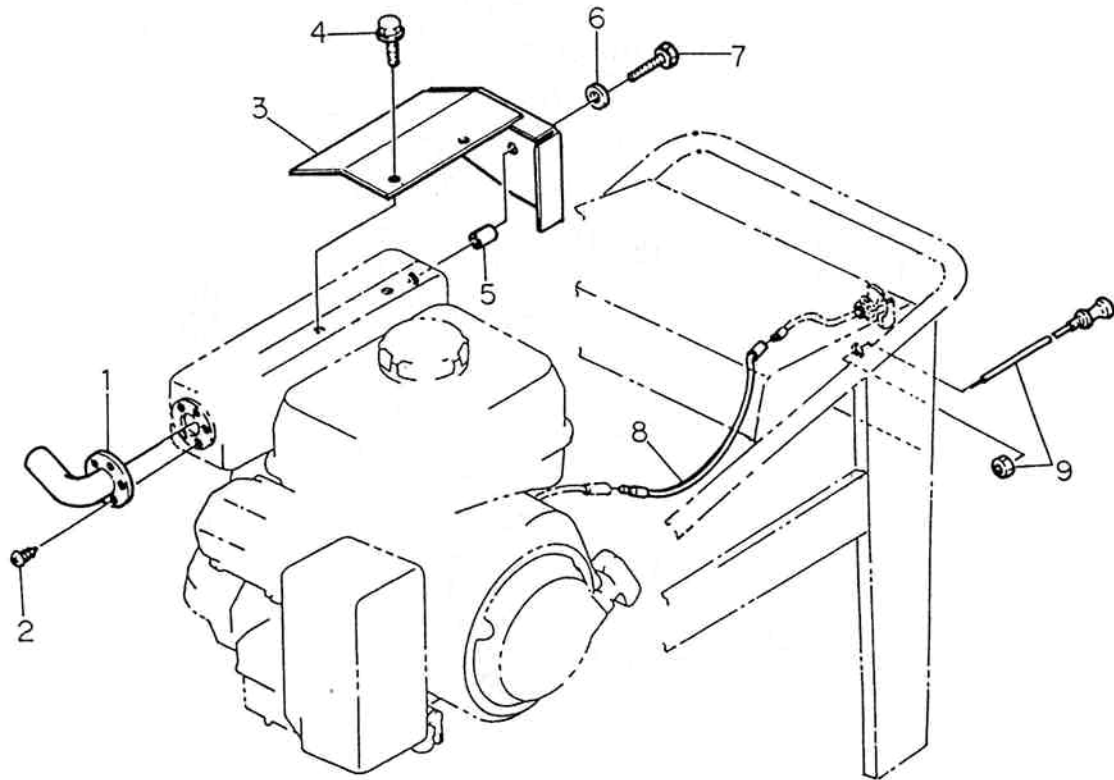
No.	Part No.	Part Description	Q'ty
1	0354-300-002-0	Idle roller (XG) Assy	2
2	0354-310-210-1A	Idle roller(150x142)	2
3	0354-330-011-1A	Idle roller shaft	2
4	V600-110-620-4	Bearing 6204	4
5	V705-140-047-0	C-type Snap ring(hole) 47	4
6	V740-120-470-7	Oil seal SC20477	4
7	0354-310-014-0	Dust cover	4
8	3768-361-029-0	Washer(for rotor fixing)	4
9	V401-160-010-0	Spring washer 10	4
10	V203-461-002-0	Bolt(fine)M10x1.25x20 9T	4
11	0353-340-200-0	Idler rod (L)	1
12	0353-340-210-0	Idler rod (R)	1
13	0354-340-011-1A	Tension bolt	2
14	V303-260-016-0	Nut M16	2
15	0354-340-220-0	Truck frame cover	2
16	V201-260-807-5	Bolt M8x75	8
17	V411-260-008-0	Washer 8	16
18	V401-160-008-0	Spring washer 8	8
19	V340-160-008-0	Cap nut M8	8
20	0353-350-200-0	Crawler 200x39x72	2

ENGINE/DRIVING(No. 1)



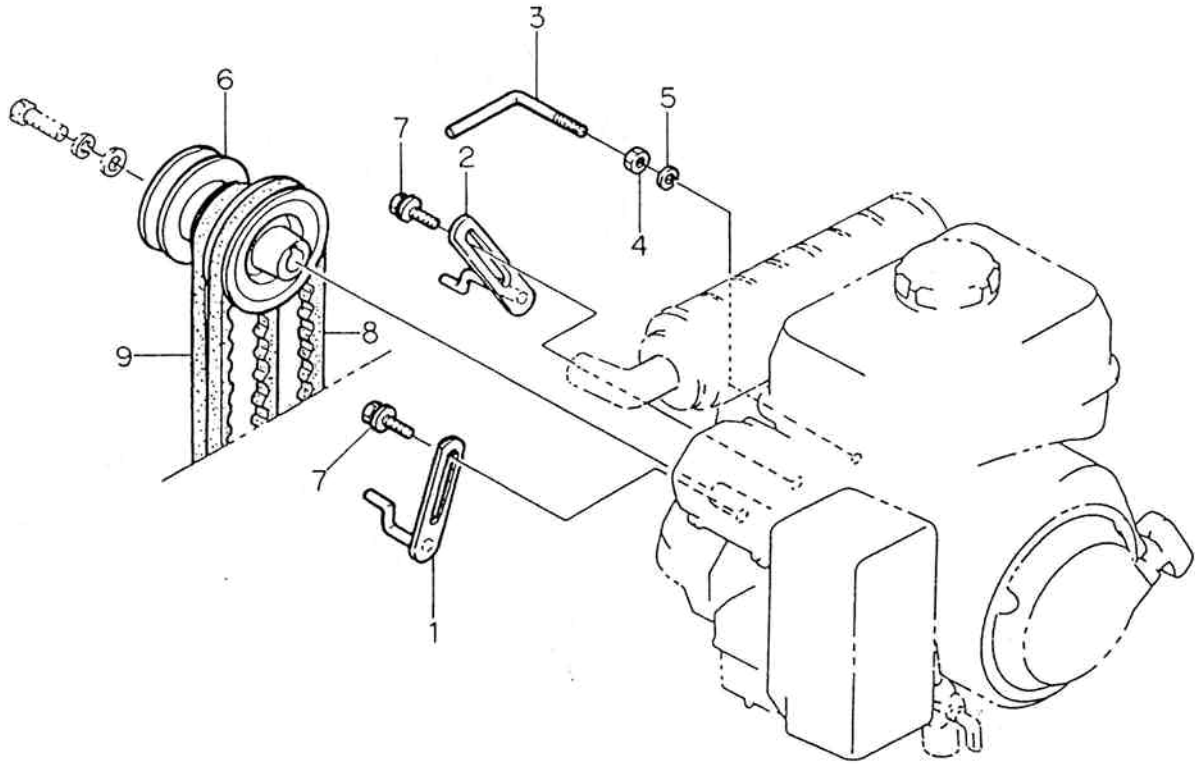
<u>No.</u>	<u>Part No.</u>	<u>Part Description</u>	<u>Q'ty</u>
1	0345-410-200-0	Engine(FE5. 6) Kawasaki FE170G-AE54	1
2	0353-420-200-0	Engine base	1
3	0437-420-011-0A	Vibration rubber	4
4	V411-260-008-0	Washer 8	16
5	V401-160-008-0	Spring washer 8	12
6	V304-260-008-0	Nut M8	12
7	V201-260-804-5	Bolt M8X45	4

ENGINE/DRIVING(No. 2)



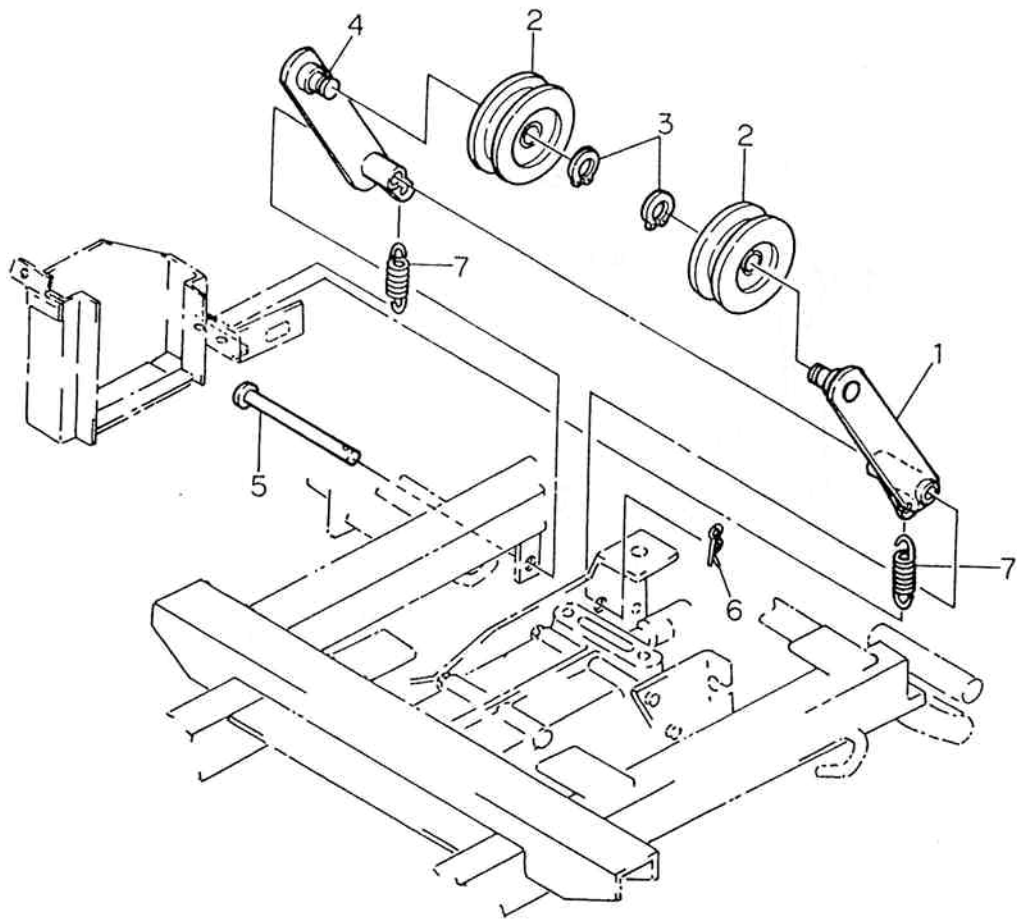
<u>No.</u>	<u>Part No.</u>	<u>Part Description</u>	<u>Q'ty</u>
1	0354-421-200-1A	Tail pipe COMP	1
2	V195-164-006-3	Tapping screw(4X6)	5
3	0354-421-210-0	Exhaust guide	1
4	V210-360-601-2	Bolt(SP)M6X12	2
5	0354-421-011-0	Collar(7X11X15)	1
6	V411-260-006-0	Washer (6)	1
7	V210-250-602-5	Bolt(S)M6X25	1
8	1394-331-015-1B	Stop cord	1
9	0312-623-018-0	Cable(throttle)	1

ENGINE/DRIVING(No. 3)



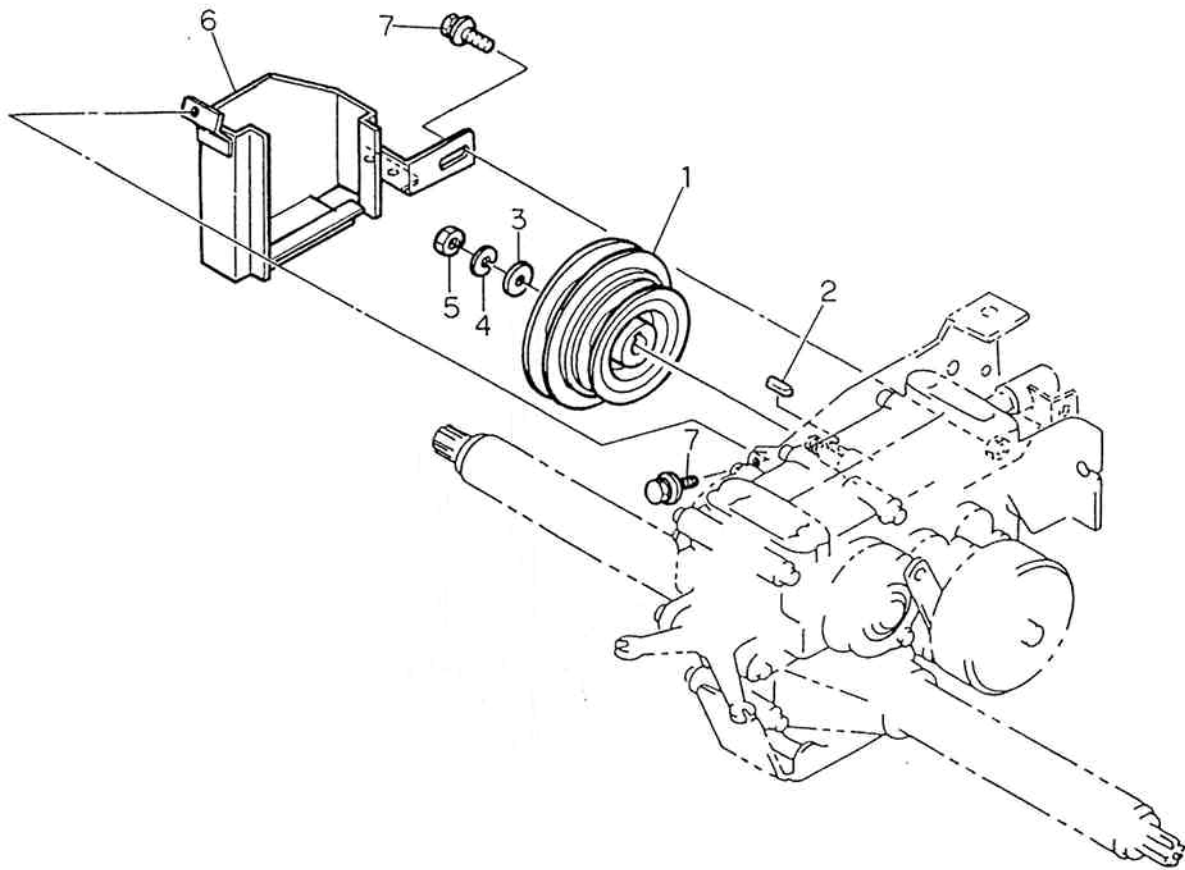
No.	Part No.	Part Description	Q'ty
1	0353-510-220-0	Belt stopper (Front)	1
2	0353-510-230-0	Belt stopper (R)	1
3	0354-510-014-1A	Belt stopper (L)	1
4	V304-260-008-0	Nut M8	1
5	V401-160-008-0	Spring washer 8	1
6	0353-510-014-1A	Engine pulley (XG400)	1
7	V211-360-801-6	Bolt (SP) M8x16	2
8	0353-510-015-0	Belt (SB29HP4)	1
9	0353-510-013-0	Belt (SB31HP4)	1

ENGINE/DRIVING(No. 4)



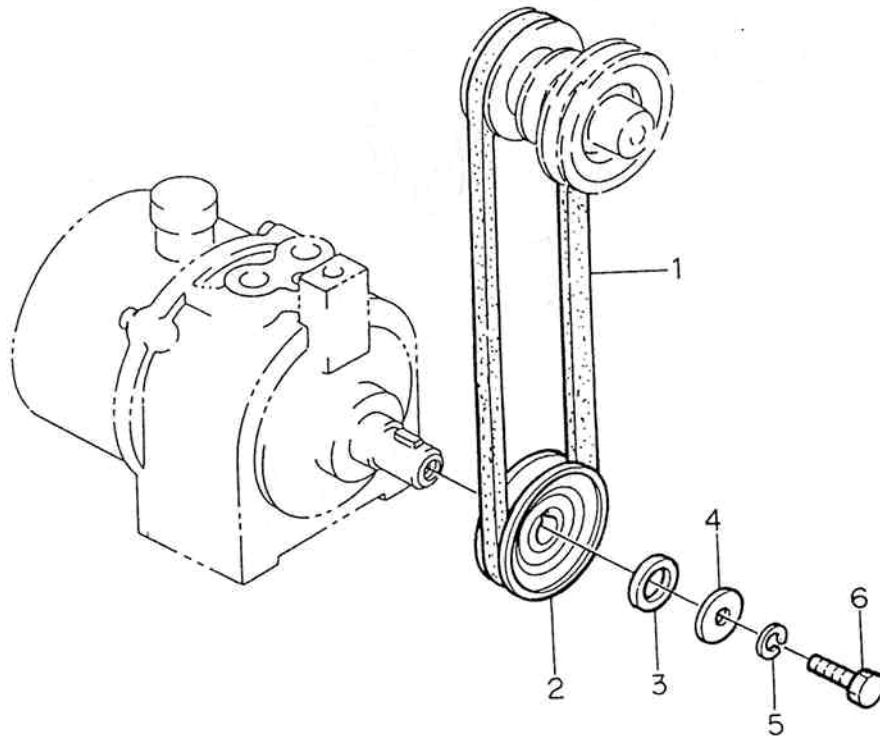
<u>No.</u>	<u>Part No.</u>	<u>Part Description</u>	<u>Q' ty</u>
1	0353-511-200-0	Tension Arm (L)	1
2	8935-004-026-0	Counter tension pulley	2
3	V704-140-015-0	C-type Snap ring (Jig) 15	2
4	0353-511-210-0	Tension Arm (R)	1
5	0450-502-012-0	Clutch lever pin	1
6	1305-241-001-0A	Hair pin	1
7	8935-004-048-0	Cover spring	2

ENGINE/DRIVING(No. 5)



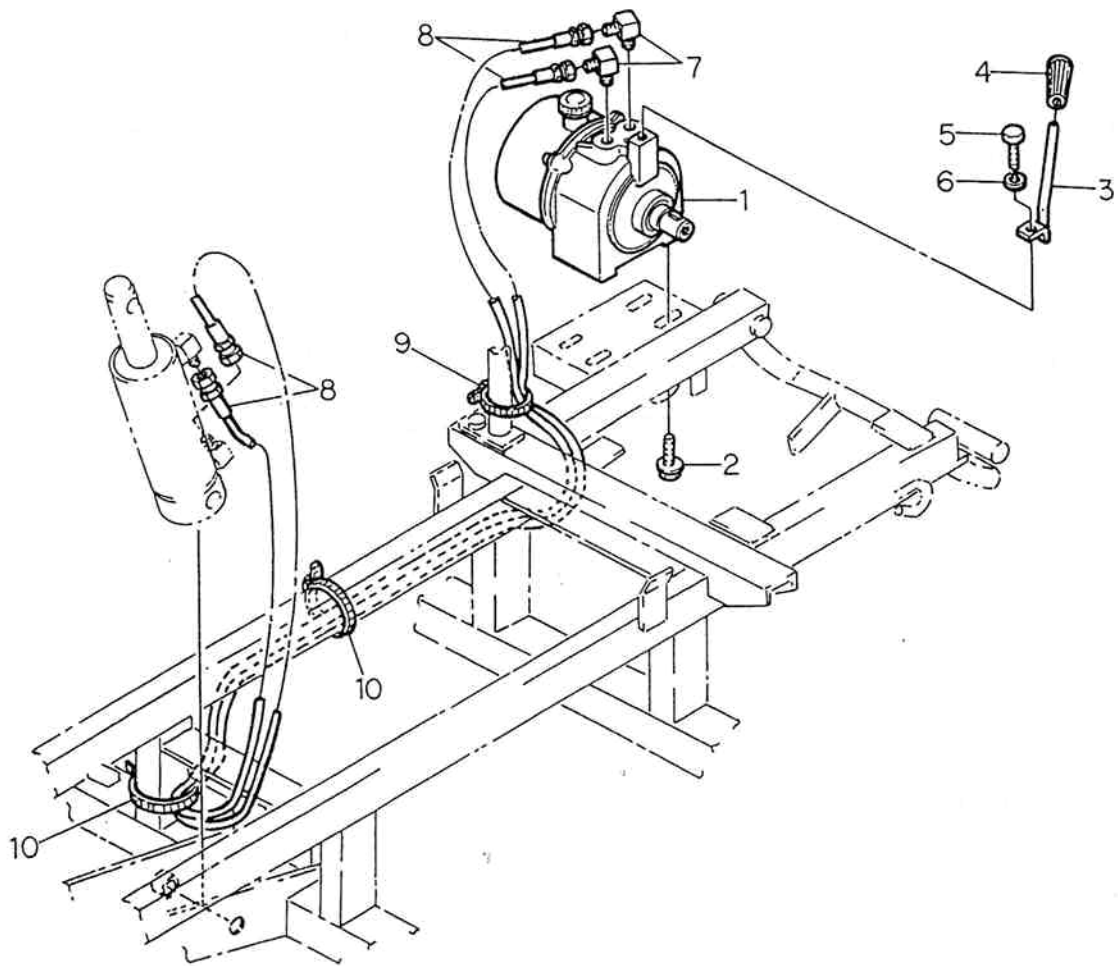
<u>No.</u>	<u>Part No.</u>	<u>Part Description</u>	<u>Q' t.y</u>
1	0353-513-011-0	M-Pulley (FE120)	1
2	8935-013-015-0	Coupling key	1
3	8935-001-062-0	Metal washer	1
4	V401-160-010-0	Spring washer 10	1
5	V300-260-010-0	Nut M10	1
6	0353-512-200-1A	Belt cover	1
7	V211-360-802-0	Bolt (SP) M8x20	2

HYDRAULIC PUMP(No. 1)



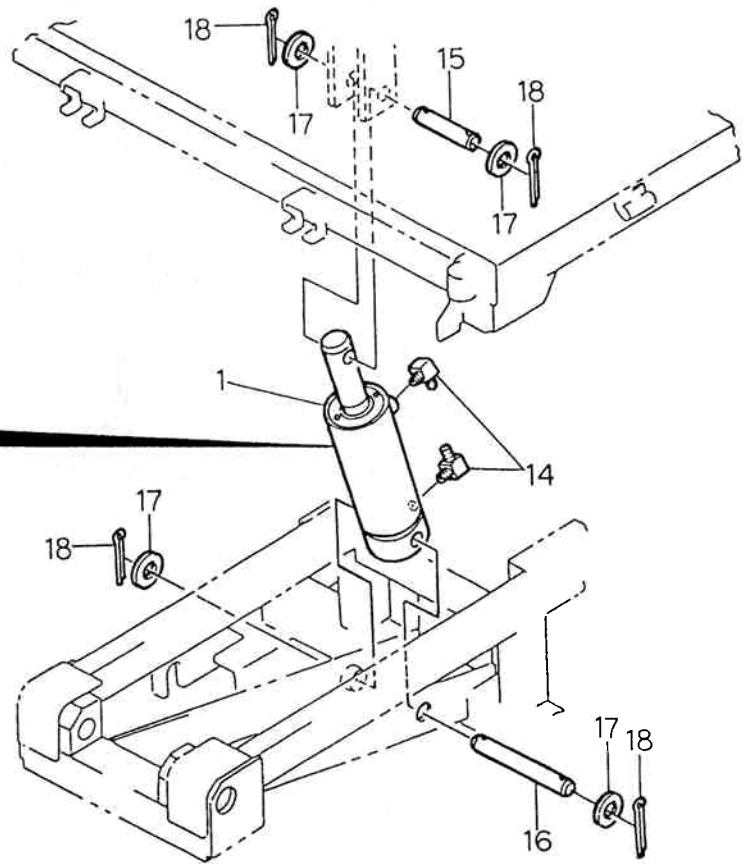
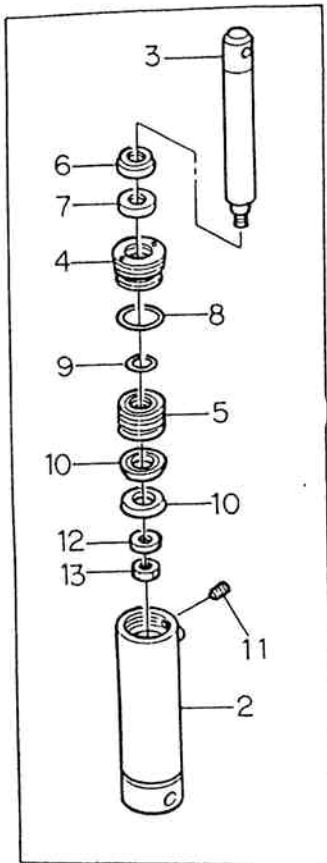
<u>No.</u>	<u>Part No.</u>	<u>Part Description</u>	<u>Q'ty</u>
1	V811-000-015-0	V-belt A-15	1
2	0347-520-200-0A	Pump pulley	1
3	0347-520-011-0	Collar(21X35X5)	1
4	0325-501-006-0	Link(10)	1
5	V401-160-010-0	Spring washer 10	1
6	V201-261-001-6	Bolt M10X16	1

HYDRAULIC PUMP (No. 2)



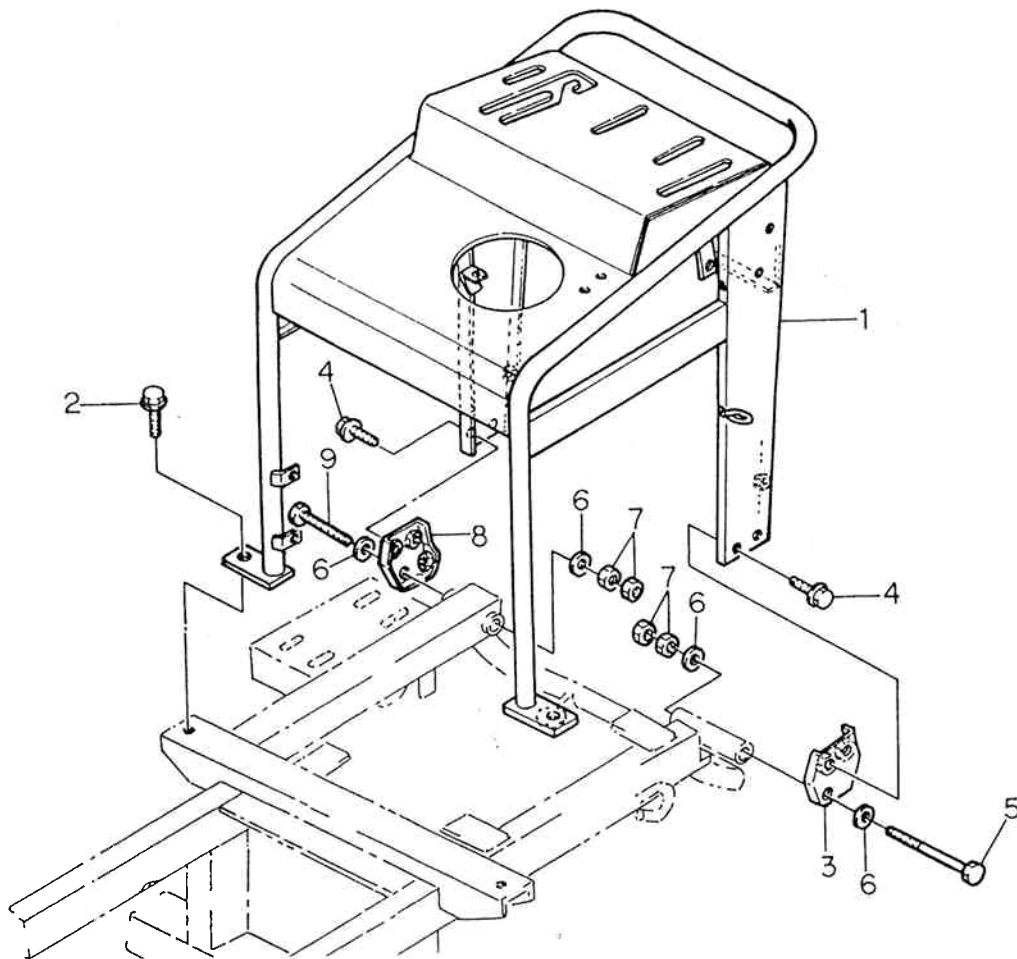
<u>No.</u>	<u>Part No.</u>	<u>Part Description</u>	<u>Q'ty</u>
1	0344-530-200-0	Hydraulic Pump(H130R)	1
2	V211-360-802-0	Bolt(SP) M8X20	4
3	0347-530-200-2B	Handle	1
4	3640-585-001-0A	Grip(yellow)	1
5	V201-261-002-0	Bolt M10X20	1
6	V401-160-010-0	Spring washer 10	1
7	0412-205-009-0	90° elbow	2
8	0437-530-012-0A	Hose(1600)	2
9	3536-142-006-1	Wire fixing band	2
10	0325-503-004-1	Repeat tie	2

HYDRAULIC PUMP (No. 3)



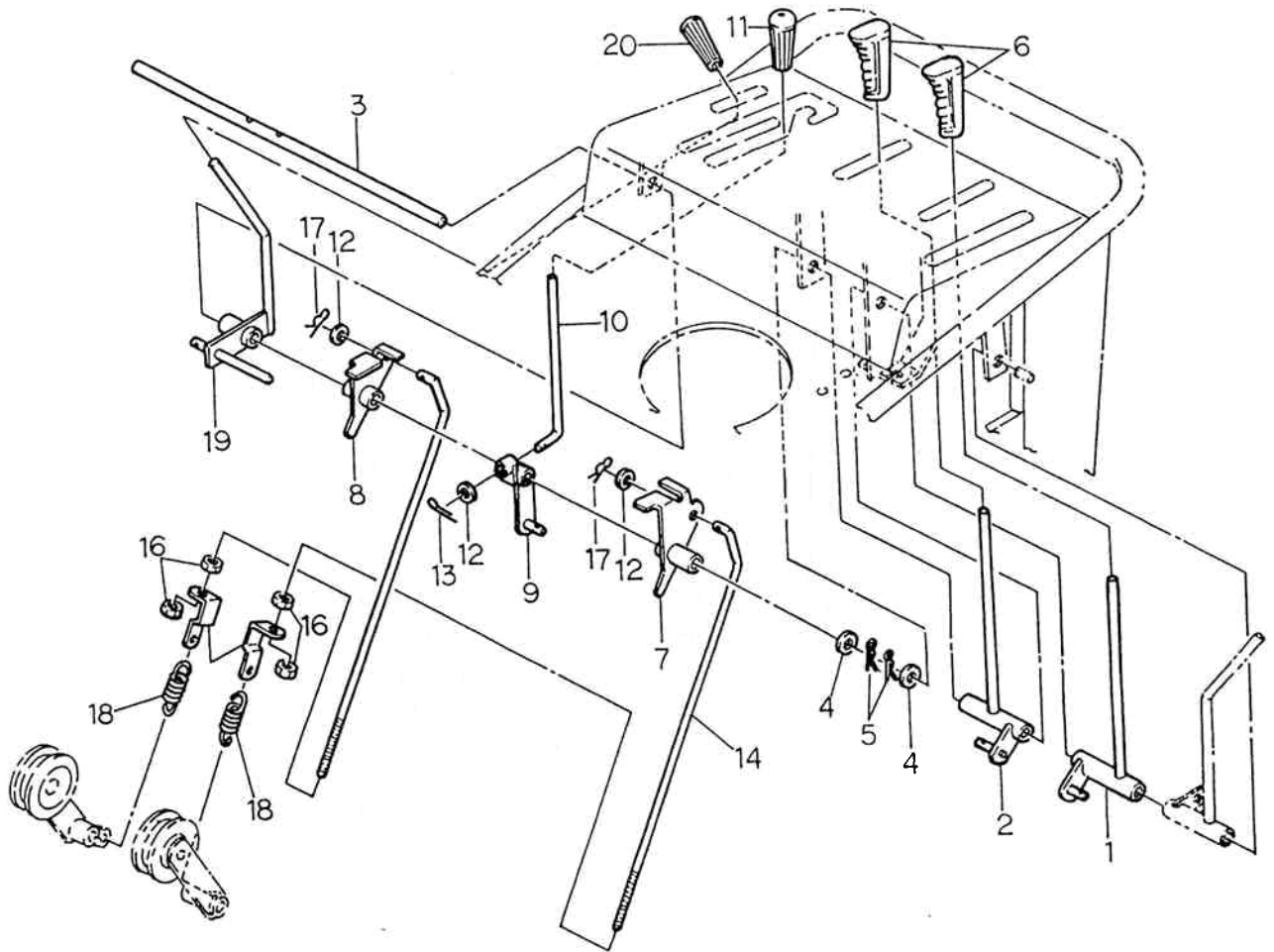
No.	Part No.	Part Description	Q'ty
1	0347-530-300-0	Cylinder(155-300) Assy	1
2	0315-303-240-0	Cylinder sub COMP	1
3	0347-530-301-0	Rod(294)	1
4	0315-303-222-0	Rod cover	1
5	0315-303-223-0	Piston	1
6	0315-303-224-0	Dust seal 35	1
7	0315-303-225-0	U packing 35	1
8	V721-103-105-8	O ring G58	1
9	V720-102-402-0	O ring P20	1
10	0315-303-226-0	U packing 63	2
11	0433-025-013-0	Screw	1
12	V411-260-016-0	Washer 16	1
13	V332-460-016-0	Nut (Fine) M16X1.5X7T	1
14	0412-205-009-0	90° Elbow	2
15	0344-530-014-0A	Cylinder rod pin	1
16	0344-530-013-0A	Cylinder head pin	1
17	V411-260-020-0	Washer 20	4
18	V500-165-003-0	Sprit pin 5X30	4

COVER(No. 1)



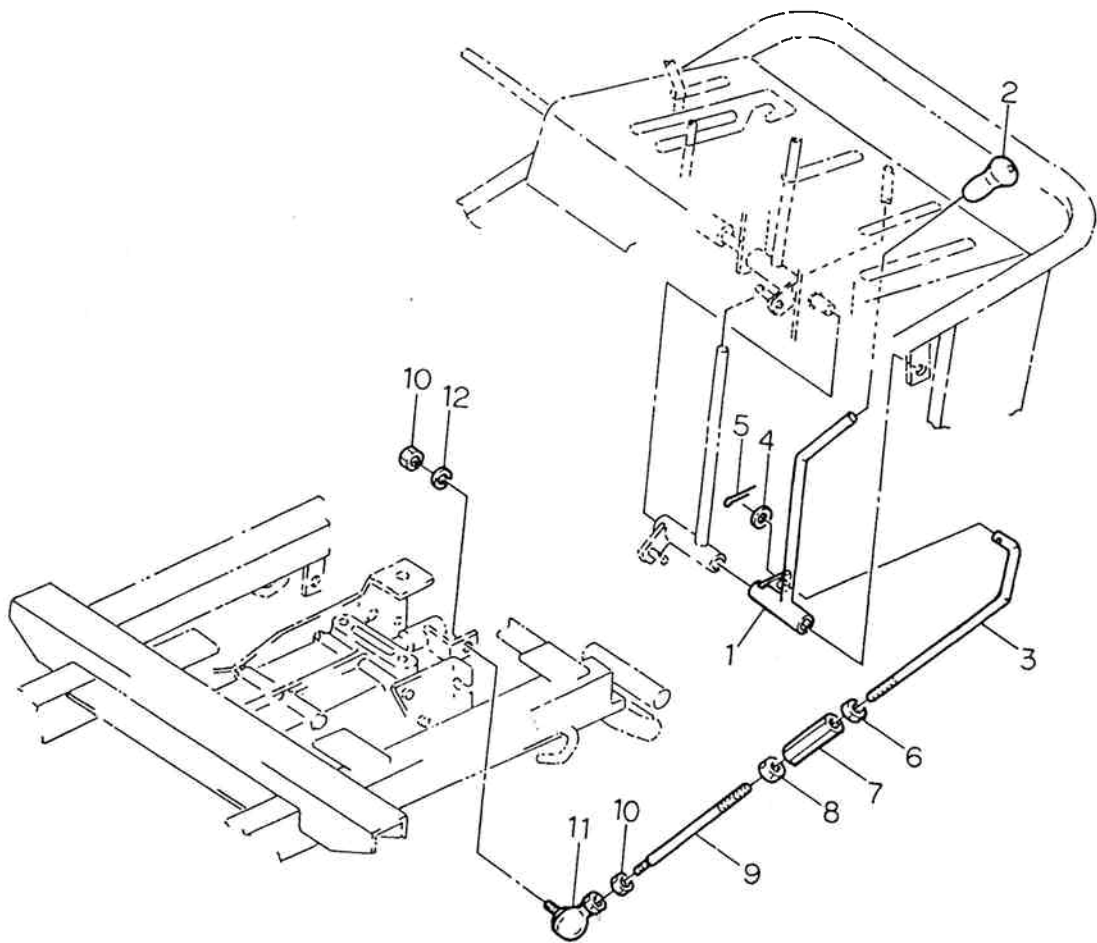
<u>No.</u>	<u>Part No.</u>	<u>Part Description</u>	<u>Q' t y</u>
1	0353-620-200-5E	Handle (450)	1
2	V211-361-002-5	Bolt (SP) M10x25	2
3	0353-620-210-0	Handle lower cover (L)	1
4	V211-360-802-0	Bolt (SP) M8x20	4
5	V201-261-213-0	Bolt M12x130	1
6	V411-260-012-0	Washer 12	4
7	V304-260-012-0	Nut M12	4
8	0353-620-220-0	Handle lower cover (R)	1
9	V201-261-209-0	Bolt M12x90	1

COVER (No. 2)



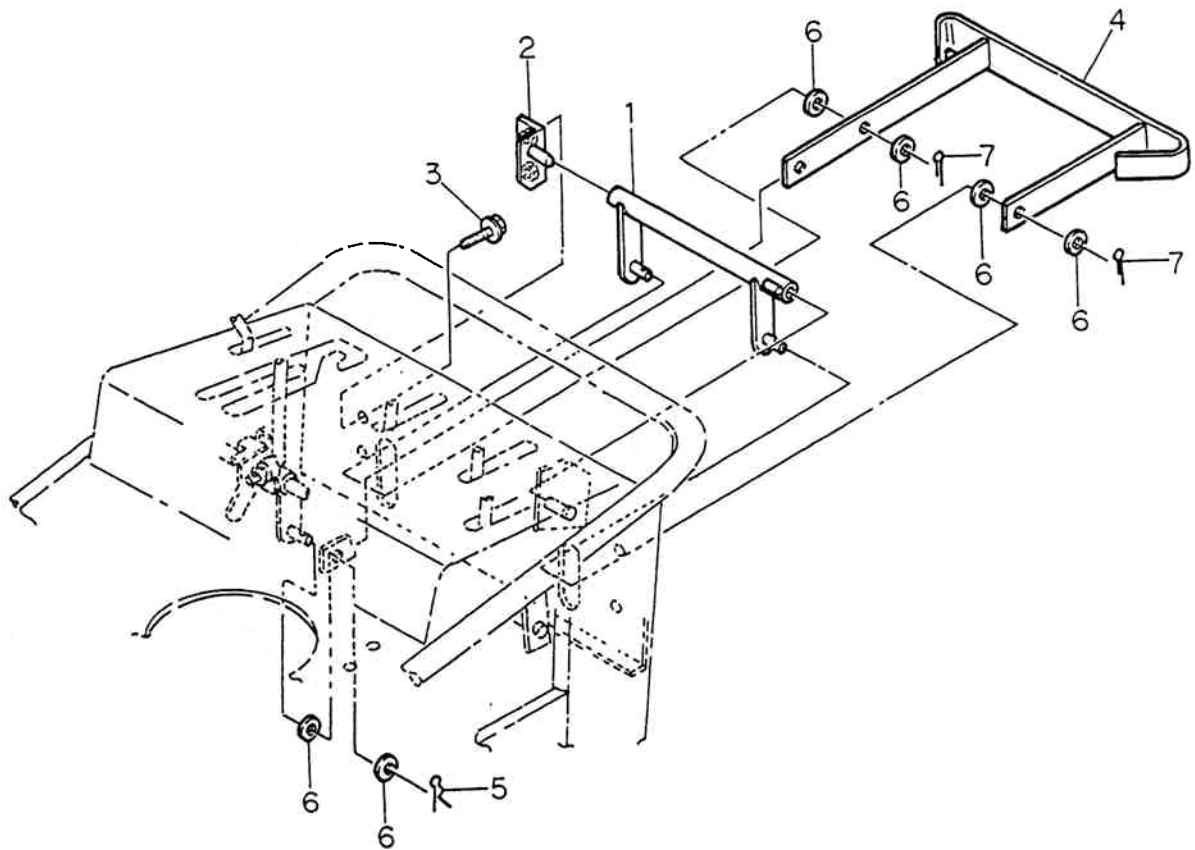
No.	Part No.	Part Description	Q' t y
1	0353-623-200-1A	Side Clutch (L)	1
2	0353-623-210-1A	Side Clutch (R)	1
3	0354-624-013-0	Lever point bar	1
4	V411-260-012-0	Washer 12	2
5	1305-241-001-0A	Hair pin	2
6	0366-252-012-0	Grip	2
7	0354-624-230-0	Clutch arm (L)	1
8	0354-624-240-1A	Clutch arm (R)	1
9	0354-624-250-2B	Tension lever point	1
10	0354-624-016-1A	Clutch lever	1
11	2101-230-001-0A	Grip	1
12	V411-260-010-0	Washer 10	3
13	V500-162-502-0	Split pin 2.5x20	1
14	0353-623-011-0	Clutch rod	2
15	0342-623-012-0	Clutch rod plate	2
16	V304-260-010-0	Nut M10	4
17	8935-009-013-0	Hair pin (for wire hook)	2
18	1337-401-006-0C	Main clutch spring	2
19	0353-623-220-0	Brake lever	1
20	1111-410-013-0	Grip, red	1

COVER (No. 3)



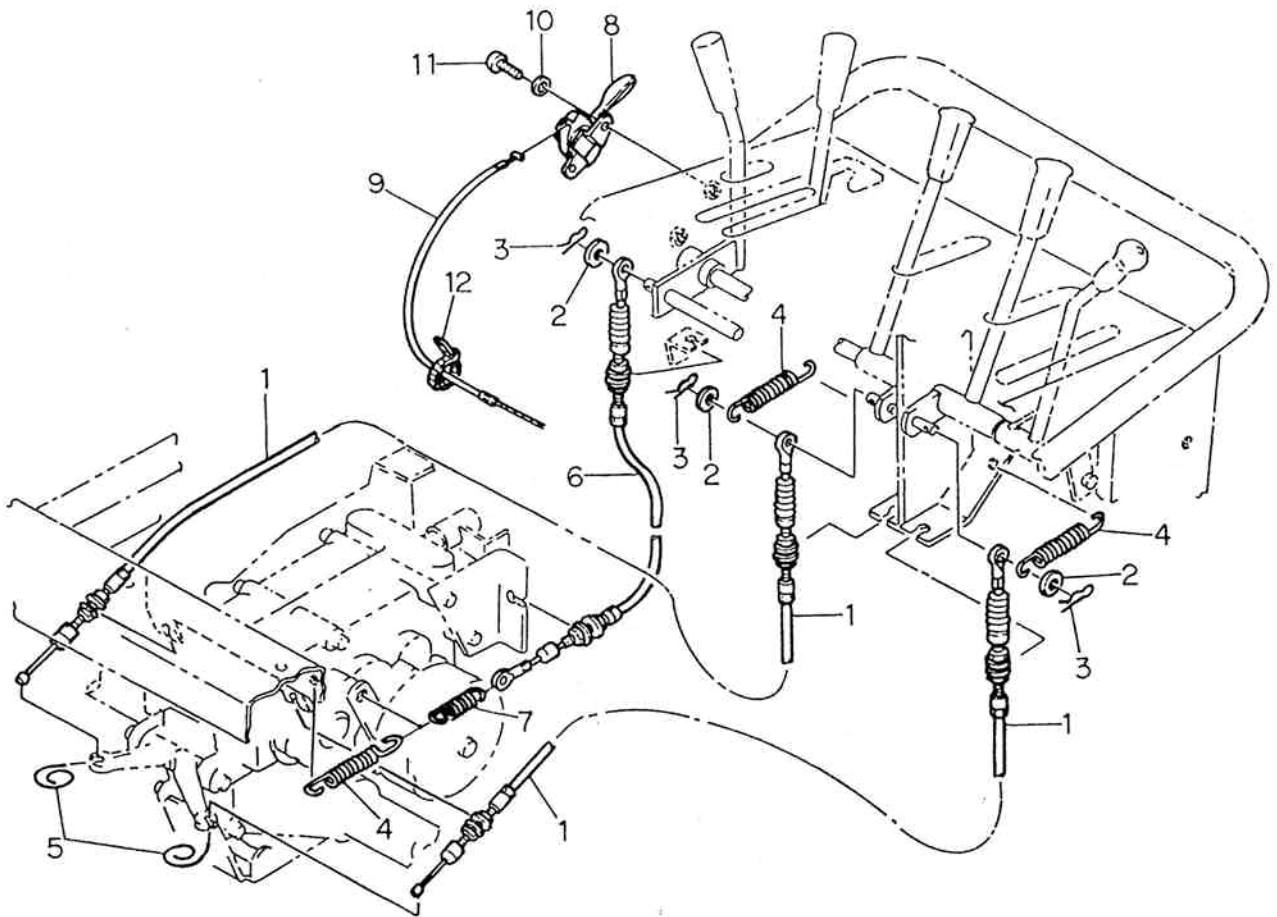
<u>No.</u>	<u>Part No.</u>	<u>Part Description</u>	<u>Q' ty</u>
1	0353-623-230-1A	Change lever	1
2	3517-105-004-0	Lever grip	1
3	0353-623-012-0	Change rod upper	1
4	V411-260-010-0	Washer 10	1
5	V500-162-502-0	Split pin 2.5x20	1
6	V300-260-010-0	Nut M10	1
7	0351-623-014-0	Adjust nut	1
8	0375-611-014-0	Nut (Left) M10	1
9	0353-623-013-0	Change rod lower	1
10	V304-260-008-0	Nut M8	2
11	0329-141-021-0	Rod end bearing	1
12	V401-160-008-0	Spring washer 8	1

COVER (No.4)



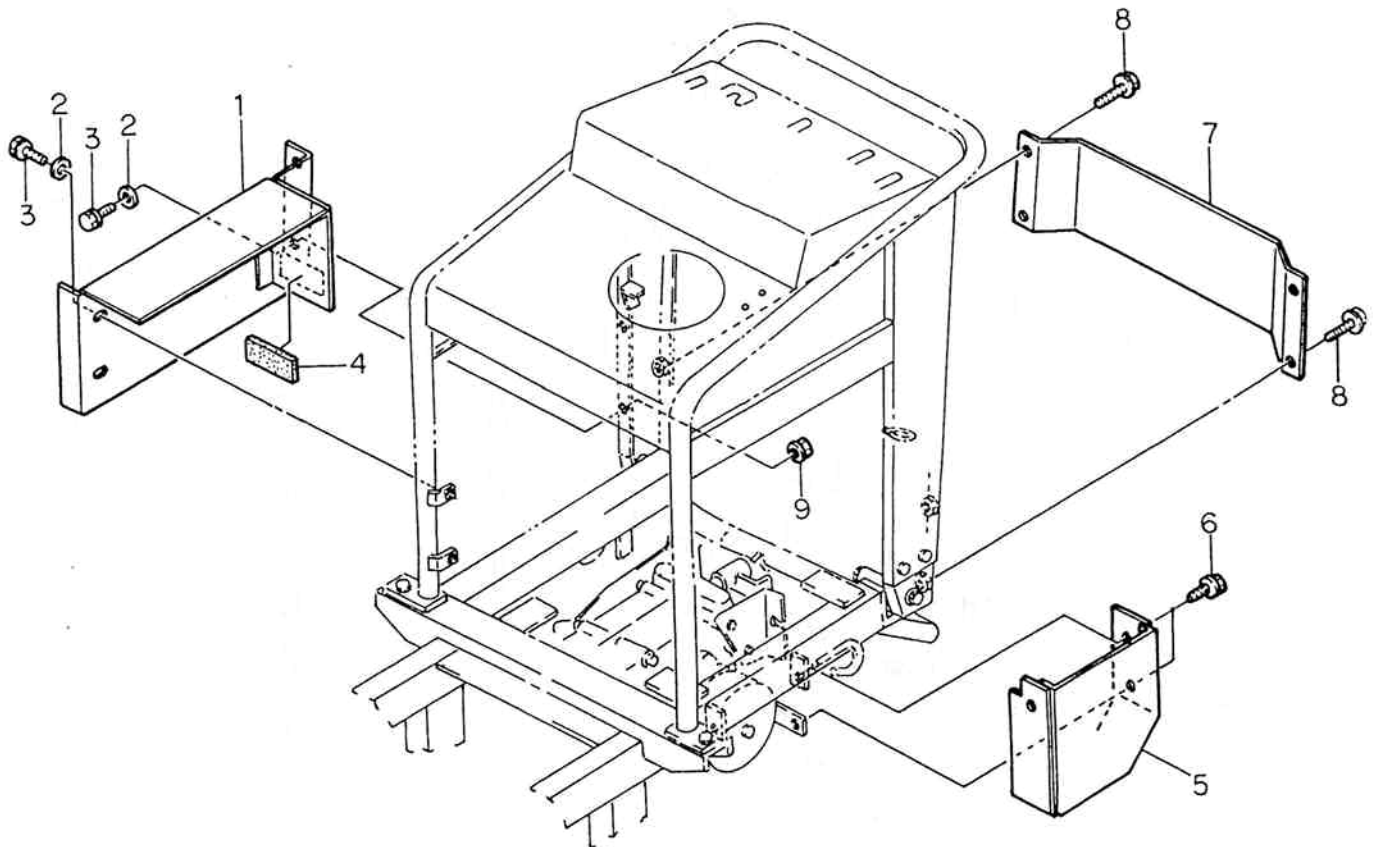
<u>No.</u>	<u>Part No.</u>	<u>Part Description</u>	<u>Q'ty</u>
1	0354-623-210-2B	Dead man point bar	1
2	0354-623-200-1A	Point holder	1
3	V211-360-802-0	Bolt (SP) M8 x 20	2
4	0354-623-220-0	Dead man handle	1
5	1305-241-001-0A	Hair pin	1
6	V411-260-010-0	Washer 10	6
7	V500-162-502-0	Split pin 2.5 x 20	2

COVER(No. 5)



No.	Part No.	Part Description	Q' ty
1	0343-625-011-0A	Cable (Side clutch)	2
2	V411-260-008-0	Washer 8	3
3	8935-009-013-0	Hair pin	3
4	0343-625-012-0	Spring (HE085)	3
5	3536-111-008-0	Wire	2
6	0343-626-011-1B	Cable (Brake)	1
7	0661-640-015-0	Spring (HE045)	1
8	3100-320-200-0A	Throttle lever	1
9	0432-152-200-0	Cable (Throttle)	1
10	V411-260-006-0	Washer 6	2
11	V120-266-001-6	Screw (S) M6x16	2
12	3536-142-006-1	Wire fixing metal	1

COVER(No. 6)



<u>No.</u>	<u>Part No.</u>	<u>Part Description</u>	<u>Q' ty</u>
1	0353-630-200-1A	Belt cover	1
2	3789-151-006-0	Washer	4
3	V210-260-601-6	Bolt (S) M6x16	4
4	0353-630-011-0	Rubber spacer #60	1
5	0353-632-200-1A	Brake cover	1
6	V210-360-601-2	Bolt (SP) M6x12	3
7	0354-630-011-1A	Foot cover	1
8	V211-360-802-0	Bolt (SP) M8x20	4
9	V361-260-006-0	Nut with washer M6	2

